

DVD PLAYER

DVD-S1500/DV-S5770

SERVICE MANUAL

IMPORTANT NOTICE

This manual has been provided for the use of authorized YAMAHA Retailers and their service personnel. It has been assumed that basic service procedures inherent to the industry, and more specifically YAMAHA Products, are already known and understood by the users, and have therefore not been restated.

WARNING: Failure to follow appropriate service and safety procedures when servicing this product may result in personal injury, destruction of expensive components, and failure of the product to perform as specified. For these reasons, we advise all YAMAHA product owners that any service required should be performed by an authorized YAMAHA Retailer or the appointed service representative.

IMPORTANT: The presentation or sale of this manual to any individual or firm does not constitute authorization, certification or recognition of any applicable technical capabilities, or establish a principle-agent relationship of any form.

The data provided is believed to be accurate and applicable to the unit(s) indicated on the cover. The research, engineering, and service departments of YAMAHA are continually striving to improve YAMAHA products. Modifications are, therefore, inevitable and specifications are subject to change without notice or obligation to retrofit. Should any discrepancy appear to exist, please contact the distributor's Service Division.

WARNING: Static discharges can destroy expensive components. Discharge any static electricity your body may have accumulated by grounding yourself to the ground buss in the unit (heavy gauge black wires connect to this buss).

IMPORTANT: Turn the unit OFF during disassembly and part replacement. Recheck all work before you apply power to the unit.

CONTENTS

TO SERVICE PERSONNEL	2-4
PREVENTION OF ELECTRO STATIC DISCHARGE	4
LOCALE MANAGEMENT INFORMATION	5
FRONT PANELS	5
REMOTE CONTROL PANEL	5
REAR PANELS	6
SPECIFICATIONS / 参考仕様	7-8
SERVICE HINTS / サービスヒント	8

DISASSEMBLY PROCEDURES /	
分解手順	9-10
BLOCK DIAGRAM	11
PRINTED CIRCUIT BOARD	12-15
SCHEMATIC DIAGRAM	16-27
EXPLODED VIEW	28
MECHANICAL PARTS	28-29



このサービスマニュアルは、エコマーク認定の再生紙を使用しています。
This Service Manual uses recycled paper.



■ TO SERVICE PERSONNEL

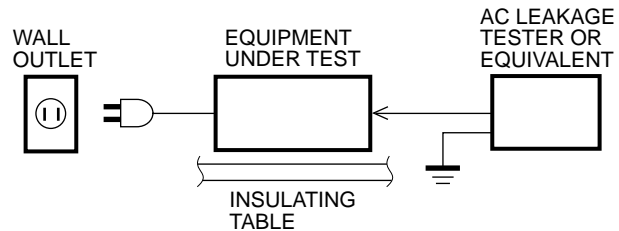
1. Critical Components Information

Components having special characteristics are marked \triangle and must be replaced with parts having specifications equal to those originally installed.

2. Leakage Current Measurement (For 120V Models Only)

When service has been completed, it is imperative to verify that all exposed conductive surfaces are properly insulated from supply circuits.

- Meter impedance should be equivalent to 1500 ohm shunted by 0.15 μ F.



- Leakage current must not exceed 0.5mA.
- Be sure to test for leakage with the AC plug in both polarities.

WARNING: CHEMICAL CONTENT NOTICE!

The solder used in the production of this product contains LEAD. In addition, other electrical/electronic and/or plastic (where applicable) components may also contain traces of chemicals found by the California Health and Welfare Agency (and possibly other entities) to cause cancer and/or birth defects or other reproductive harm.

DO NOT PLACE SOLDER, ELECTRICAL/ELECTRONIC OR PLASTIC COMPONENTS IN YOUR MOUTH FOR ANY REASON WHATSOEVER!

Avoid prolonged, unprotected contact between solder and your skin! When soldering, do not inhale solder fumes or expose eyes to solder/flux vapor!

If you come in contact with solder or components located inside the enclosure of this product, wash your hands before handling food.

WARNING: Laser Safety

This product contains a laser beam component. This component may emit invisible, as well as visible radiation, which may cause eye damage. To protect your eyes and skin from laser radiation, the following precautions must be used during servicing of the unit.

- 1) When testing and/or repairing any component within the product, keep your eyes and skin more than 30 cm away from the laser pick-up unit at all times. Do not stare at the laser beam at any time.
- 2) Do not attempt to readjust, disassemble or repair the laser pick-up, unless noted elsewhere in this manual.
- 3) CAUTION : Use of controls, adjustments or performance of procedures other than those specified herein may result in hazardous radiation exposure.

Laser Emitting conditions:

- 1) When the Top Cover is removed, and the STANDBY/ON SW is turned to the "ON" position, the laser component will emit a beam for several seconds to detect if a disc is present. During this time (5-10 sec.) the laser may radiate through the lens of the laser pick-up unit. Do not attempt any servicing during this period! If no disc is detected, the laser will stop emitting the beam. When a disc is loaded, you will not be exposed to any laser emissions.

警告：レーザーの安全対策

本機はレーザー光線を放射する部品を搭載しています。この部品が放射するレーザー光線は目に損傷を起こします。このレーザー光線から目及び肌を保護するために、本機の修理作業中は下記の注意を厳守してください。

- 1) テスト時または修理時、目及び肌を光ピックアップから30cm以上離してください。いかなる場合もレーザー光線を見つめないでください。
- 2) 光ピックアップの再調整及び分解はしないでください。
- 3) このマニュアル上で指定されている以外の制御、調整、手順はレーザー光線を照射される結果を招く恐れがあります。

レーザー放射条件

- 1) トップカバーを取り外しSTANDBY/ONスイッチをONにすると、ディスク検知のため5～10秒間、光ピックアップからレーザー光線が放射されます。この間、修理はしないでください。ディスクが検知されなければ、レーザー光線の放射は停止します。ディスクがセットされている場合、ディスクで遮られるのでレーザー光線は修理担当者には届きません。

2) The laser power level can be adjusted with the VR on the pick-up PWB, however, this level has been set by the factory prior to shipping from the factory. Do not adjust this laser level control unless instruction is provided elsewhere in this manual. Adjustment of this control can increase the laser emission level from the device.

2) レーザーパワーレベルは光ピックアップ基板上のVRにより調整可能ですが、工場出荷前に調整セット済みなので、このVRは廻さないでください。このVRを廻すと装置からのレーザー光線の放射レベルが上がる恐れがあります。

Laser Diode Properties

Type: Semiconductor laser GaAlAs
Wave length: 650 nm (DVD/SA-CD)
790 nm (VCD/CD)
Output Power: 7 mW (DVD/SA-CD/VCD/CD)

レーザー

タイプ 半導体レーザー GaAlAs
波長 650 nm (DVD/SA-CD)
790 nm (VCD/CD)
出力 7 mW (DVD/SA-CD/VCD/CD)

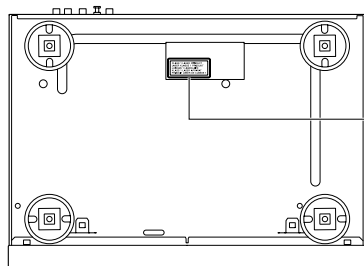
VARO! : AVATTAESSA JA SUOJALUKITUS OHITETTAESSA OLET ALTTIINA NÄKYMÄTTÖMÄLLE LASER-SÄTEILYLLE. ÄLÄ KATSO SÄTEESEEN.

WARNING! : OSYNLIG LASERSTRÅLNING NÄR DENNA DEL ÄR ÖPPNAD OCH SPÄRREN ÄR URKOPPLAD. BETRAKTA EJ STRÅLEN.

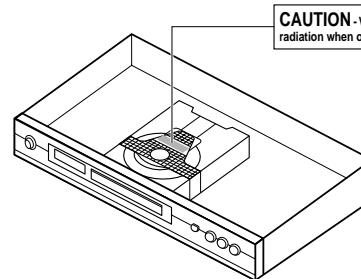
WARNING

The use of optical instruments with this product will increase eye hazard.

Repair handling should take place as much as possible with a disc loaded inside the player.



CLASS 1 LASER PRODUCT
LASER KLASSE 1 PRODUKT
LUOKAN 1 LASERLAITE
KLASS 1 LASER APPARAT
PRODUIT LASER DE CLASSE 1



CAUTION - Visible and invisible laser radiation when open. Avoid exposure to beam.

CAUTION VISIBLE AND INVISIBLE LASER RADIATION WHEN OPEN. AVOID EXPOSURE TO BEAM

ADVARSEL SYNLIG OG USYNLIG LASERSTRÅLNING VED ÅBNING UNDGÅ UDSÆTTELSE FOR STRÅLNING

ADVARSEL SYNLIG OG USYNLIG LASERSTRÅLNING NÄR DEKSEL ÅPNES UNNGÅ EKSPONERING FOR STRÅLEN

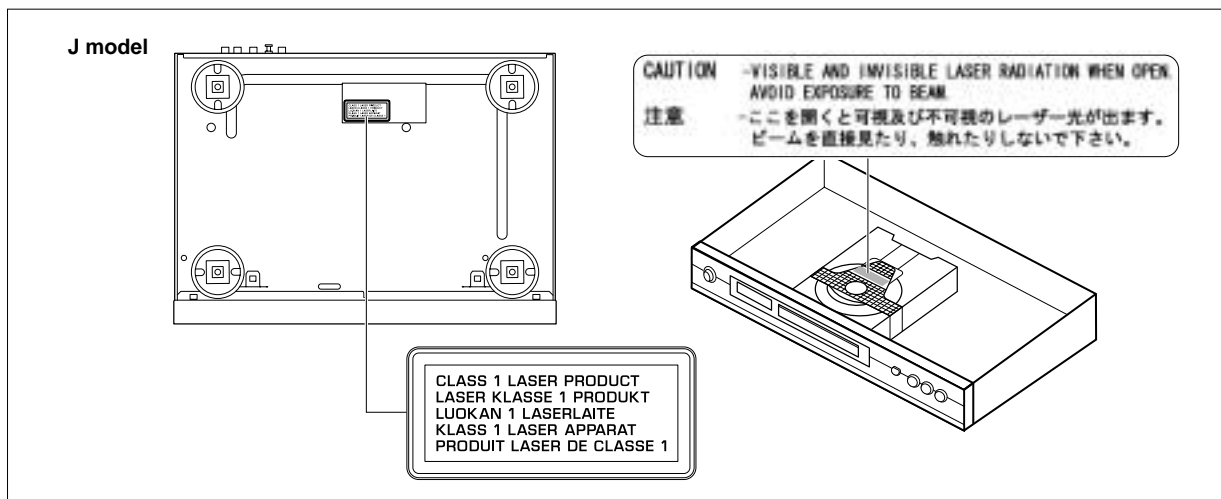
VARNING SYNLIG OCH OSYNLIG LASERSTRÅLNING NÄR DENNA DEL ÄR ÖPPNAD BETRAKTA EJ STRÅLEN

VARO! AVATT AESSA OLET ALTTIINA NÄKYVÄLLE JA NÄKYMÄTTÖMÄLLE LASER SÄTEILYLLE. ÄLÄ KATSO SÄTEESEEN

VORSICHT SICHTBARE UND UNSICHTBARE LASERSTRALUNG WENN ABDECKUNG GEÖFFNET NICHT DEM STRAHL AUSSETZEN

DANGER VISIBLE AND INVISIBLE LASER RADIATION WHEN OPEN. AVOID DIRECT EXPOSURE TO BEAM

ATTENTION RAYONNEMENT LASER VISIBLE ET INVISIBLE EN CAS D'OUVERTURE EXPOSITION DANGEREUSE AU FAISCEAU



Warning for power supply

The primary side of the power supply carries live mains voltage when the player is connected to the mains even when the player is switched off !

This primary area is not shielded so it is possible to touch copper tracks and/or components when servicing the player. Service personnel have to take precautions to prevent touching this area or components in this area .

Note:

The screws on the DVD mechanism may never be touched, removed or re-adjusted.

Handle the DVD mechanism with care when the unit has to be exchanged!

The DVD mechanism is very sensitive for dropping or giving shocks.

■ PREVENTION OF ELECTRO STATIC DISCHARGE

The laser diode in the DVD mechanism may be damaged due to static electricity from clothes or the human body. Use caution to prevent electro static damage when servicing or handling the DVD-mechanism.

1. Grounding for electro static damage prevention

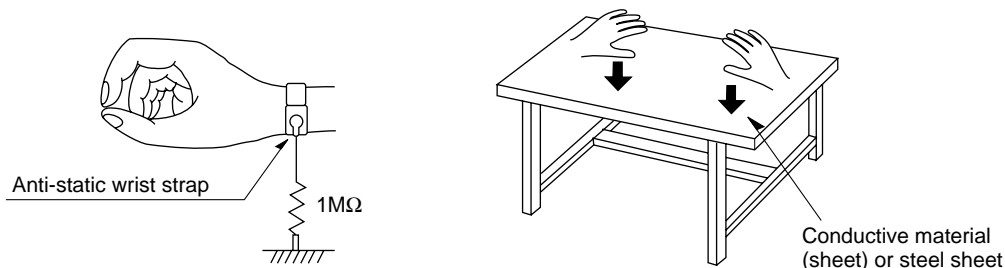
Some devices, such as the DVD player, use an optical pickup (laser diode) that will be damaged by static electricity in the working environment. Only attempt service after ensuring that all grounding procedures have been completed.

1. Worktable grounding

Put a grounded conductive material (sheet) or iron sheet on the area where the optical pickup is placed.

2. Human body grounding

Use an anti-static wrist strap to discharge the static electricity from your body.



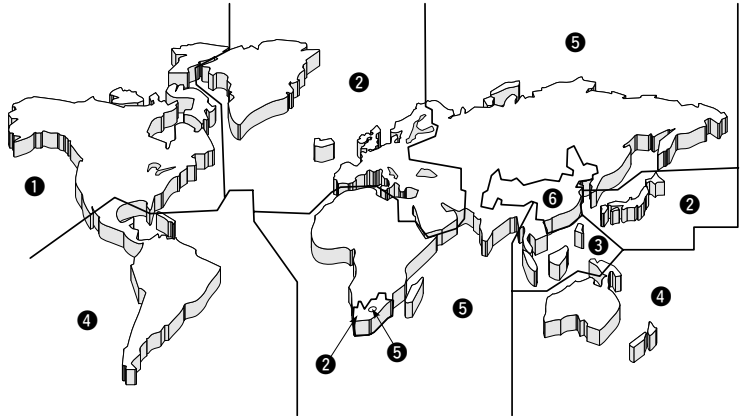
2. Handling Precautions for DVD mechanism

1. Handle the DVD mechanism gently, as it is an extremely high-precision assembly.
2. The flexible cable lines may break if an excessive force is applied to it. Use caution when handling the cable.
3. The semi-fixed resistor for laser power adjustment should not be adjusted. Do not turn the resistor.

■ LOCALE MANAGEMENT INFORMATION

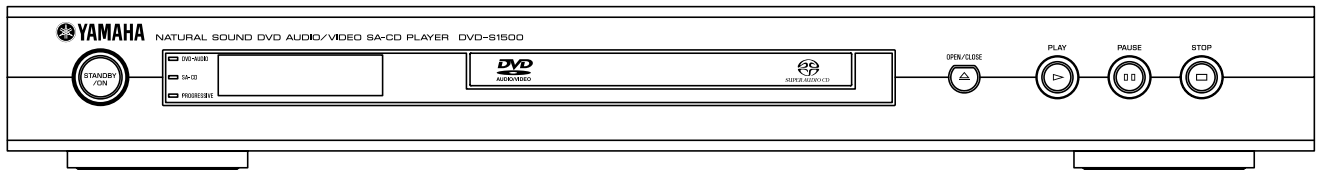
Locale Management Information : This DVD player is designed and manufactured to respond to the Locale Management Information that is recorded on a DVD disc. If the Locale number described on the DVD disc does not correspond to the Locale number of this DVD player, this DVD player cannot play this disc.

This product incorporates copyright protection technology that is protected by method claims of certain U.S. patents and other intellectual property rights owned by Macrovision Corporation and other rights owners. Use of this copyright protection technology must be authorized by Macrovision Corporation, and is intended for home and other limited viewing uses only unless otherwise authorized by Macrovision Corporation. Reverse engineering or disassembly is prohibited.

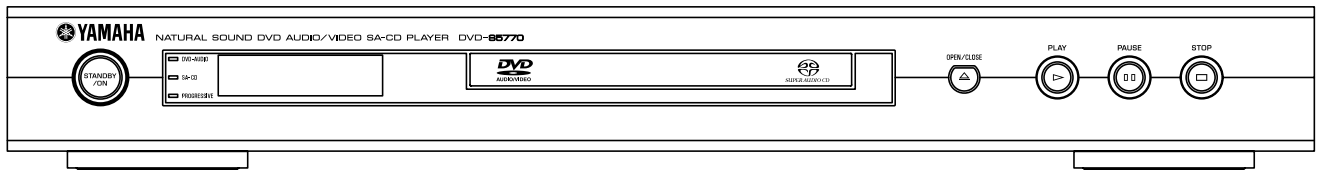


■ FRONT PANELS

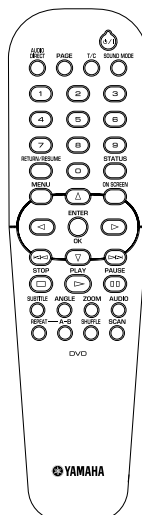
● DVD-S1500



● DV-S5770



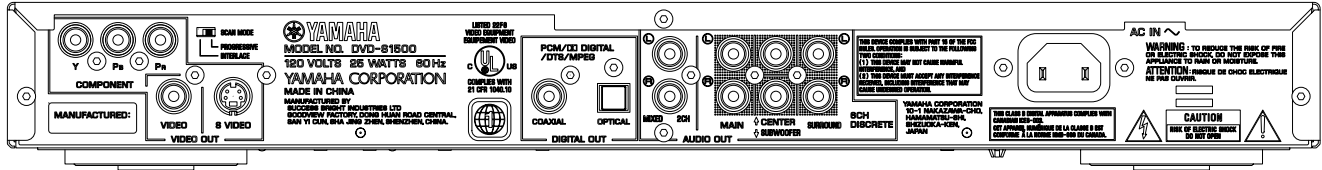
■ REMOTE CONTROL PANEL



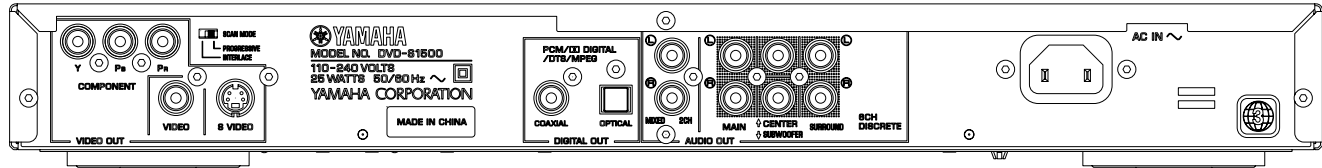
DVD-S1500 /DV-S5770

REAR PANELS

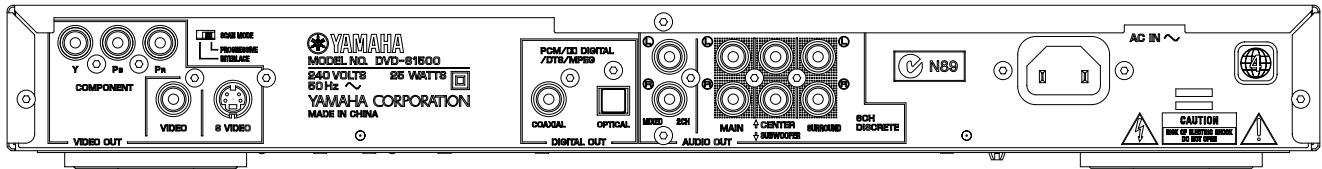
▼ DVD-S1500 (U model)



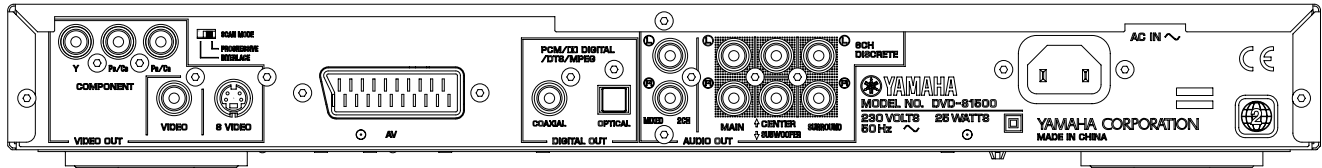
▼ DVD-S1500 (R model)



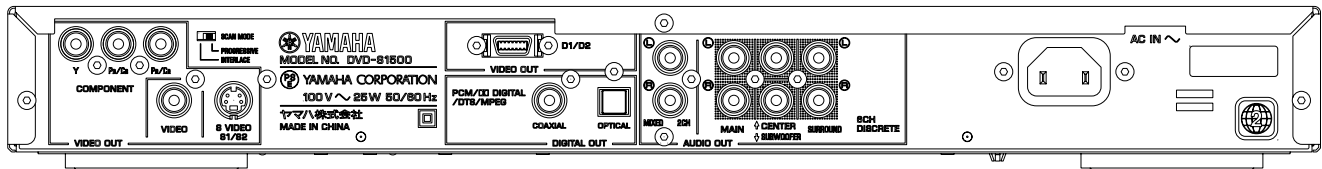
▼ DVD-S1500 (A model)



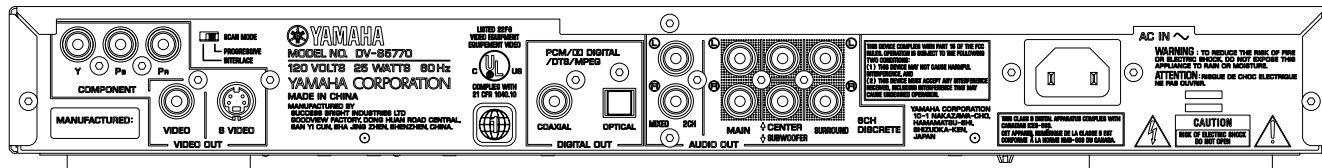
▼ DVD-S1500 (G model)



▼ DVD-S1500 (J model)



▼ DV-S5770 (U model)



DVD-S1500 /DV-S5770

■ SPECIFICATIONS / 参考仕様

PLAYBACK SYSTEM / 対応ディスク

DVD-Audio
 DVD-Video
 Super Audio-CD, Stereo/Multi-channel and Hybrid disc
 DVD+R, DVD+RW
 DVD-R, DVD-RW (Video Format)
 Video CD (VCD)
 Super Video CD (SVCD)
 CD-Audio (CD-DA)
 CD-R/CD-RW (CD-DA, VCD, SVCD)
 MP3, JPEG

VIDEO PERFORMANCE / ビデオ部

Video Output 1 Vpp into 75 ohm
 S-Video Output Y: 1Vpp into 75 ohm
 C: 0.3Vpp into 75 ohm (PAL)
 C: 0.286Vpp into 75 ohm (NTSC)
 Component Video Output Y: 1Vpp into 75 ohm
 Pb/Cb Pr/Cr: 0.7Vpp into 75 ohm
 RGB (SCART) Output 0.7 Vpp into 75 ohm (G model)
 D1/D2 Output D1: 1Vpp into 75 ohm (J model)
 D2: 0.7Vpp into 75 ohm (J model)

AUDIO FORMAT / オーディオフォーマット

DSD Multi-channel and Stereo
 Dolby Digital/DTS/MPEG Compressed Digital
 PCM/Packed PCM fs.48, 96, 192, and 44.1, 88.2
 176.4 kHz 16, 20, 24 bits
 MP3 (ISO9660) 32, 44.1, 48, and 16, 22.05, 24 kHz
 Full decoding of Dolby Digital, DTS and MPEG multi-channel sound/
 analogue stereo sound
 Dolby Surround-compatible downmix from Dolby Digital multi-channel
 sound
 3D Sound for virtual 5.1 channel sound on two speakers
 Dolby Pro Logic II 5.1 ch decoding from the stereo source

AUDIO PERFORMANCE / オーディオ特性

DA Converter 24 bits
 Signal-Noise Ratio 115 dB
 Dynamic Range (DVD 48 kHz 24 bit) 103 dB
 (Super Audio CD) 107 dB
 DVD fs 96 kHz 2 Hz – 44 kHz
 CD/VCD fs 44.1 kHz 2 Hz – 20 kHz
 Distortion and Noise (1 kHz) 0.0017% (DVD 48 kHz
 24 bit)

TV STANDARD (PAL/50Hz) (NTSC/60Hz)

Number of lines 625 525
 Playback Multistandard (PAL/NTSC)

CONNECTIONS / 接続端子

Y Output Cinch (green)
 Pb/Cb Output Cinch (blue)
 Pr/Cr Output Cinch (red)
 SCART Euroconnector (G model)
 D Terminal (J model)
 S-Video Output Mini DIN, 4 pins

Video Output Cinch (yellow)
 Audio Output (L+R) Cinch (white/red)
 Digital Output 1 coaxial, 1 optical
 6 channel Analog Output
 • Audio Main L/R Cinch (white/red)
 • Audio Surround L/R Cinch (white/red)
 • Audio Center Cinch (blue)
 • Audio Subwoofer Cinch (black)

GENERAL / 一般

Dimensions (w x h x d) 435 x 55 x 315 mm
 (17-1/8" x 2-3/16" x 12-3/8")
 Weight Approx. 3.2 Kg (7 lbs 1 oz)
 Finish
 • DVD-S1500 Gold Color (R, J models)
 Black Color (U, A, G models)
 Titanium Color (G model)
 • DV-S5770 Silver Color (U model)
 Power Supply AC120V, 60Hz (U model)
 AC230V, 50Hz (G model)
 AC240V, 50Hz (A model)
 AC110-240V, 50/60Hz (R model)
 AC100V, 50/60Hz (J model)
 Power Consumption 25W
 Standby Power Consumption (reference data) 1W

ACCESSORIES / 付属品

Remote Control, Batteries x 2, Power Cable
 Audio/Video Cable (U, R, A, J models)
 Audio Pin Cable (G model)
 Video Cable (G model)

* Specifications subject to change without prior notice.

U USA model G European model
 R General model J Japanese model
 A Australian model



Manufactured under license from Dolby Laboratories. "Dolby" and the double-D symbol are trademarks of Dolby Laboratories.



"DTS" and "DTS Digital Surround" are registered trademarks of Digital Theater Systems, Inc.



"DCDi" is a trademark of Faroudja, a division of Genesis Microchip, Inc.

This product incorporates copyright protection technology that is protected by method claims of certain U.S. patents and other intellectual property rights owned by Macrovision Corporation and other rights owners.

Use of this copyright protection technology must be authorized by Macrovision Corporation, and is intended for home and other limited viewing uses only unless otherwise authorized by Macrovision Corporation. Reverse engineering or disassembly is prohibited.



ドルビーラボラトリーズからの実施権により製造されています。「ドルビー」及びダブルD記号は、ドルビーラボラトリーズの商標です。



DTSおよびDTS Digital Surroundは、デジタルシアターシステムの登録商標です。



DCDiは、Genesis Microchip, Inc.の事業部門であるFaroudjaの商標です。

本製品は、著作権保護技術を採用しており、マクロビジョン社及びその他の著作権者が保有する米国特許及びその他の知的財産権によって保護されています。この著作権保護技術の使用は、マクロビジョン社の許可が必要で、またマクロビジョン社の特別な許可がない限り家庭用及びその他の一部の視聴用の使用に制限されています。分解したり、改造することも禁じられています。

■ SERVICE HINTS / サービスヒント

● Repair Tips

1. DVD Module

The DVD mechanism and MONO board together as a set is called "DVD module". When a failure has occurred in the DVD module, it must be replaced as a complete set. Neither the DVD mechanism nor the MONO board can be replaced as an individual unit.

2. Power Supply Unit

When a failure has occurred in the power supply unit, it must be replaced.

3. PCB Assembly

When a failure has occurred in the FRONT, AV, PSCAN or HDMI D2 P.C.B., replace each P.C.B.

修理についての助言

1. DVD モジュール

DVD メカと MONO ボードをセットしたものを DVD モジュールと呼びます。

DVD モジュールに故障が発生した場合は、必ず DVD モジュールを交換してください。

DVD メカまたは、MONO ボードを単品で交換することはできません。

2. 電源ユニット

故障の場合は、電源ユニットを交換してください。

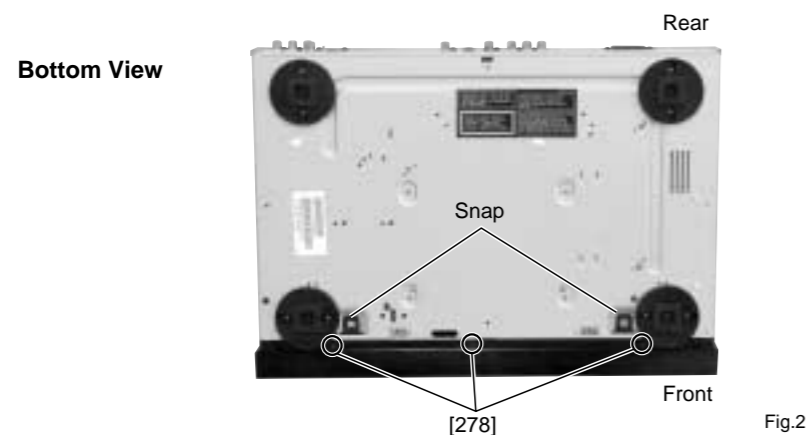
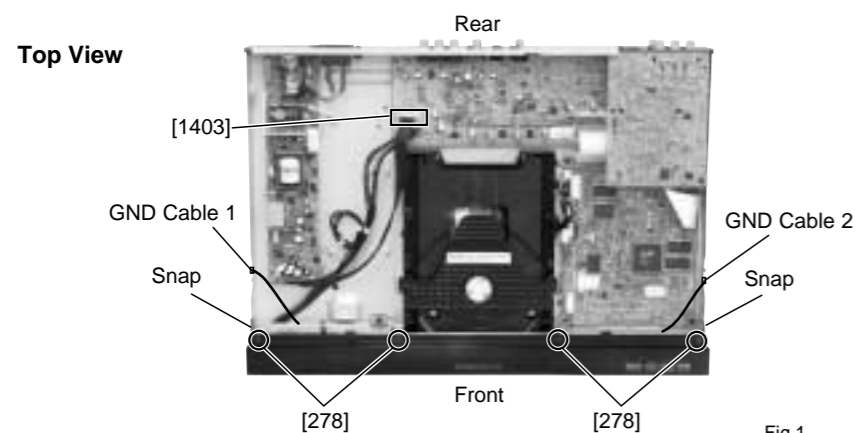
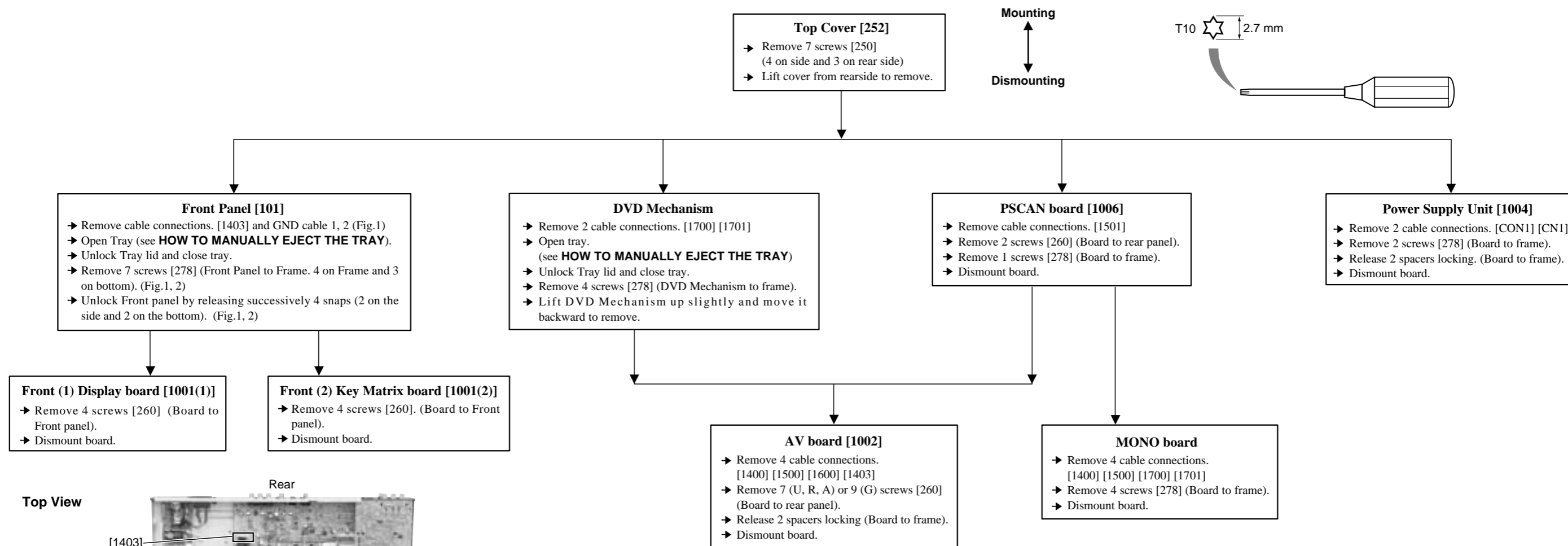
3. PCB Ass'y

FRONT ボード、AV ボード、PSCAN ボード、HDMI D2 ボードが故障の場合は、各 PCB を交換してください。

DISASSEMBLY PROCEDURES

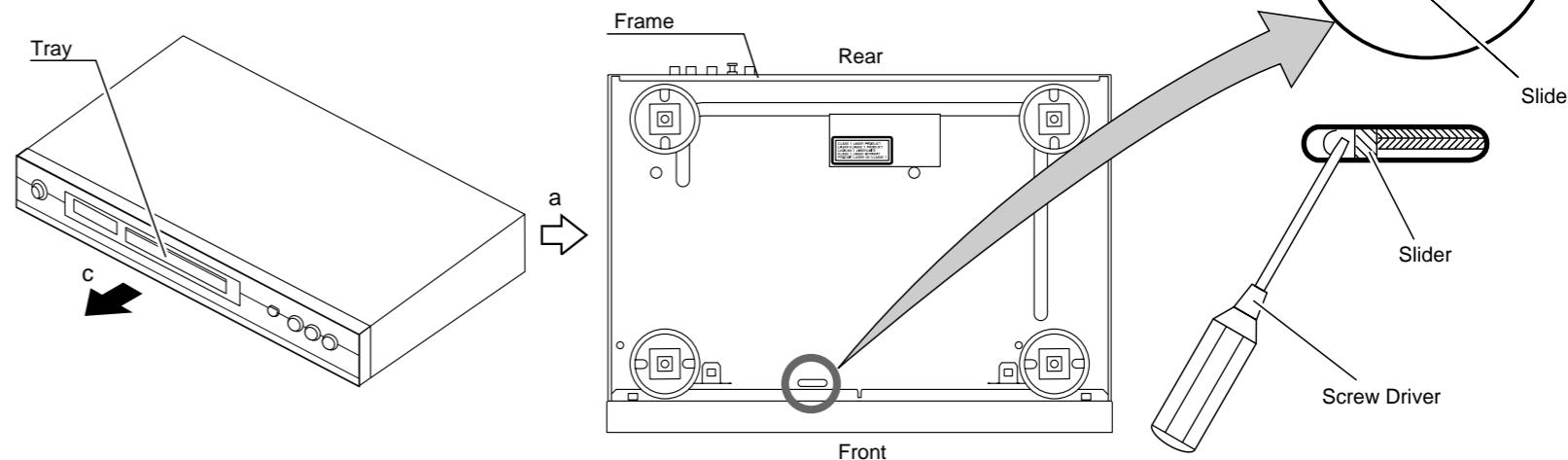
See **EXPLODED VIEW** for item numbers.

When disassembling, use the special screw driver with tip shape in figure.



● HOW TO MANUALLY EJECT THE TRAY

- Turn the player bottom up.
- Move the slider in the direction indicated with a screw driver until the tray is ejected.
- Gently pull the tray out.



■ 分解手順

項目番号については分解図を参照してください。

分解には図のような特殊ドライバーを使用します。

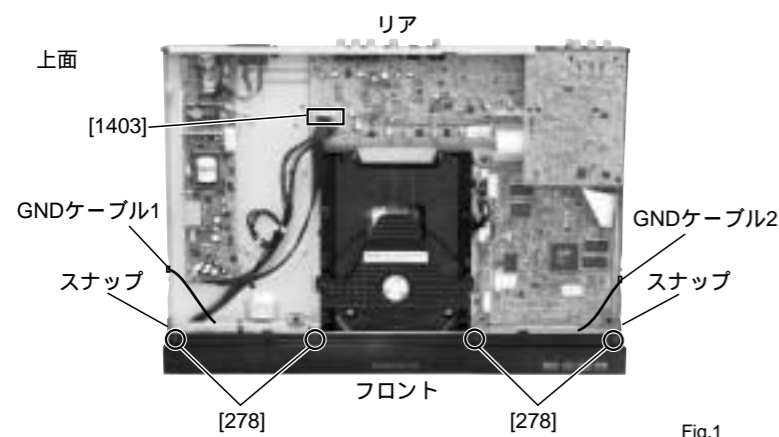
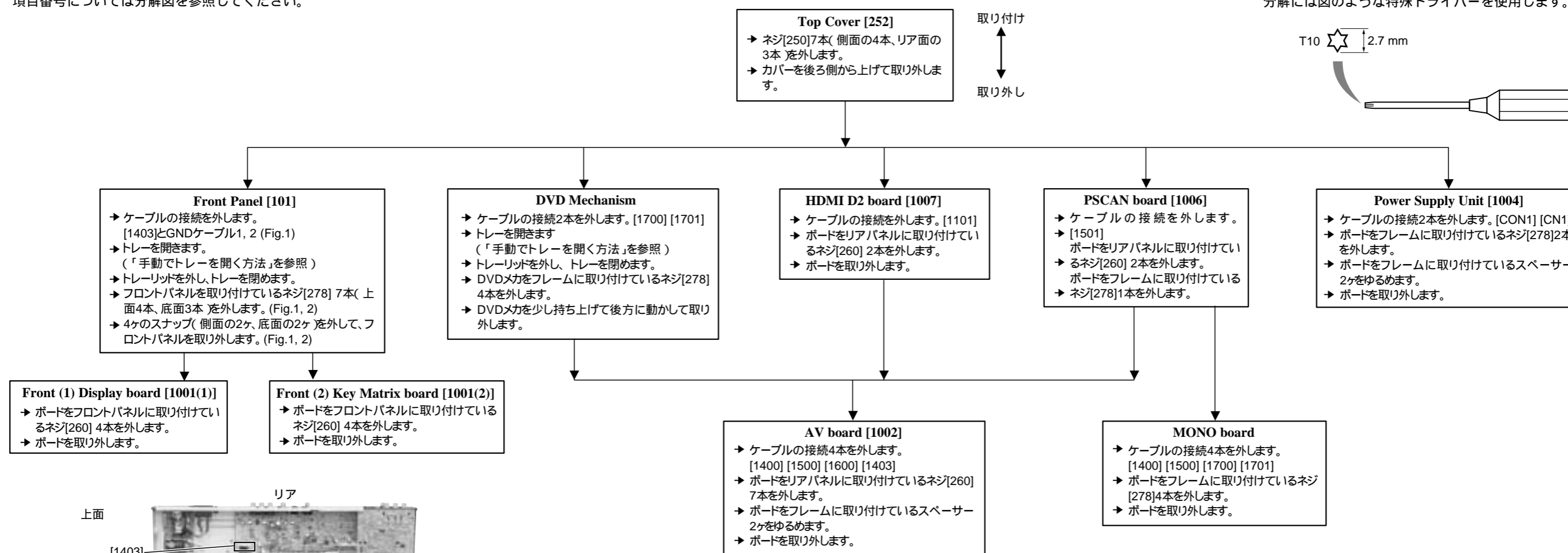
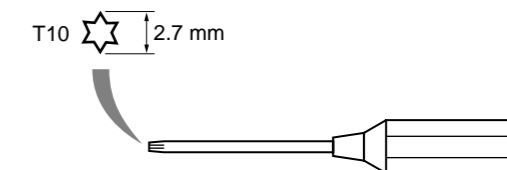


Fig.1

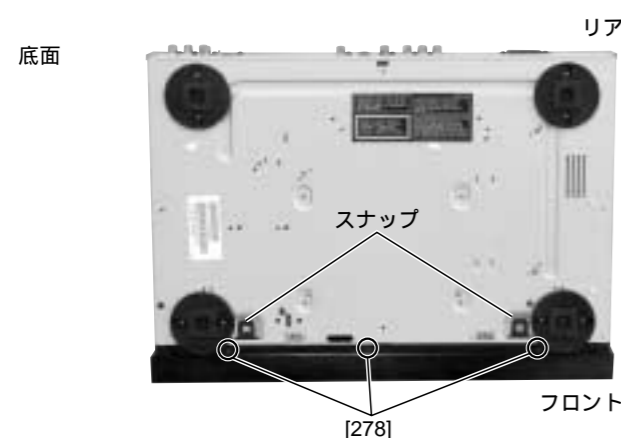
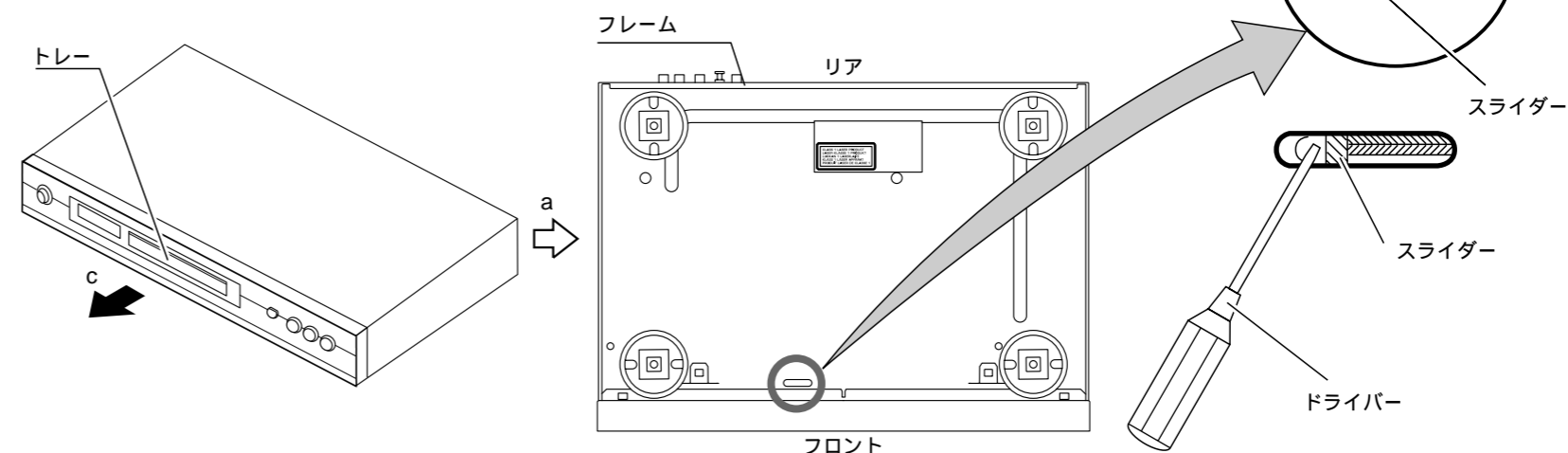


Fig.2

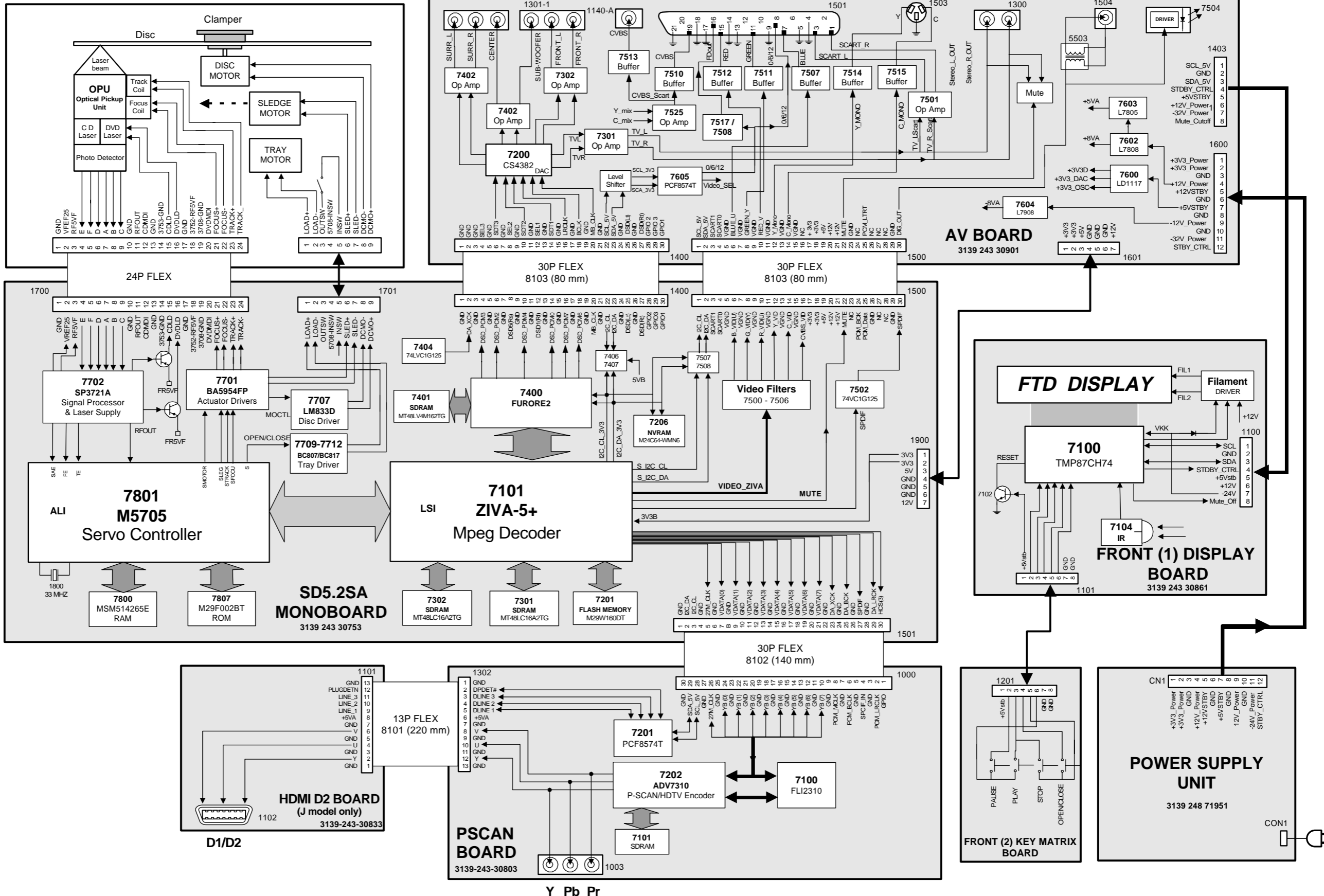
手でトレーを開く方法

- 本体を上下反転します。
- トレーが出てくるまで、ドライバーでスライダを図に示す矢印の方向に動かします。
- トレーをそっと引き出します。



■ BLOCK DIAGRAM

DVD Mechanism
Actima A97HL loader

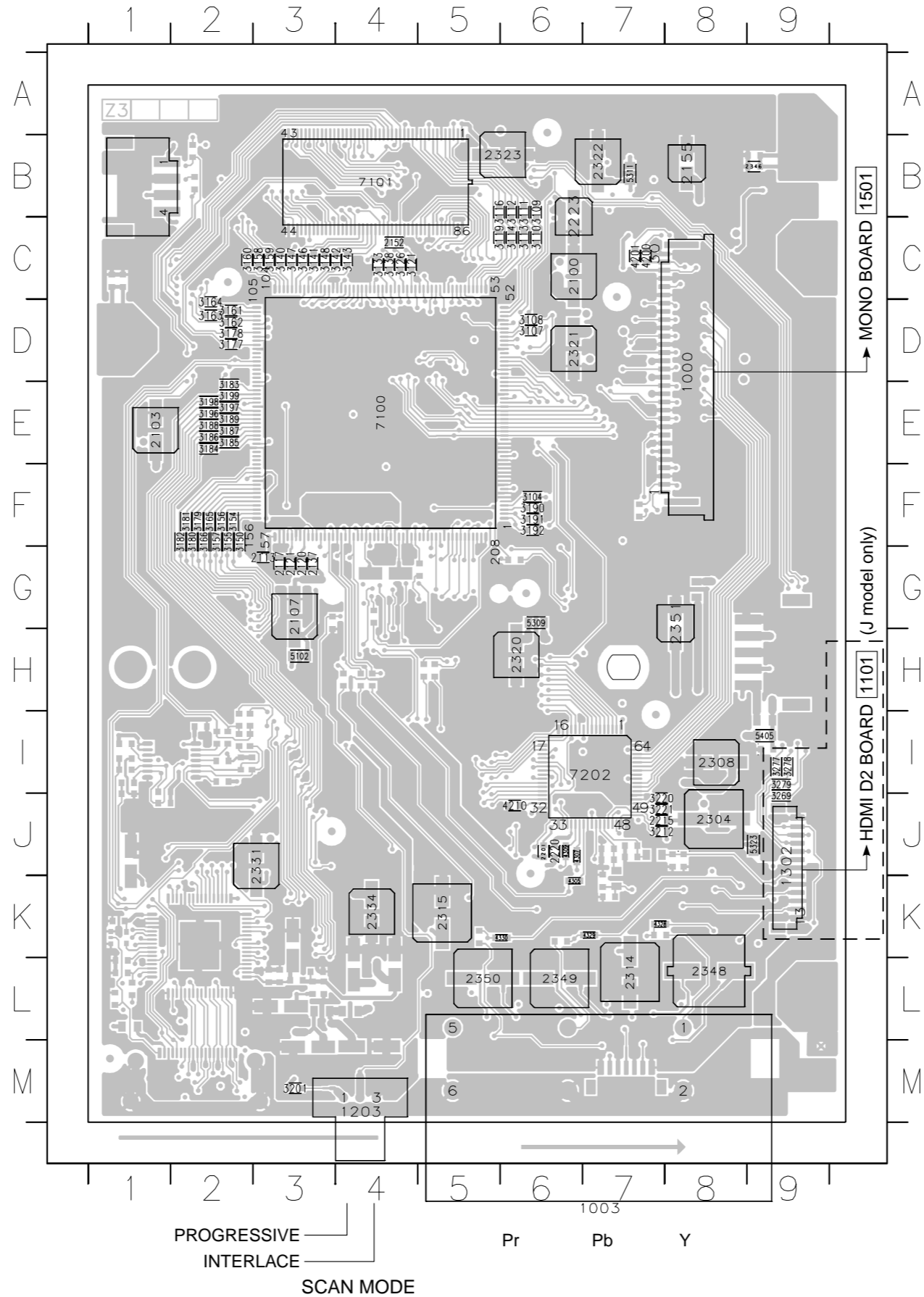


■ PRINTED CIRCUIT BOARD
FOR INFORMATION ONLY (NO SERVICE PARTS WILL BE AVAILABLE)

The first digit of a component indicates the component type.

- 1xxx : Connector 3xxx : Resistor 5xxx : Coil 7xxx : IC, Transistor, FET
- 2xxx : Capacitor 4xxx : SMD jumper 6xxx : Diode 9xxx : Wire jumper

PSCAN Board Top View



10	11	12	13	14	15	16	17	18	19	20	21	22	23	24	25	26	27	28	29	30	31	32	33	34	35	36	37	38	39	40	41	42	43	44	45	46	47	48	49	50	51	52	53	54	55	56	57	58	59	60	61	62	63	64	65	66	67	68	69	70	71	72	73	74	75	76	77	78	79	80	81	82	83	84	85	86	87	88	89	90	91	92	93	94	95	96	97	98	99	100
----	----	----	----	----	----	----	----	----	----	----	----	----	----	----	----	----	----	----	----	----	----	----	----	----	----	----	----	----	----	----	----	----	----	----	----	----	----	----	----	----	----	----	----	----	----	----	----	----	----	----	----	----	----	----	----	----	----	----	----	----	----	----	----	----	----	----	----	----	----	----	----	----	----	----	----	----	----	----	----	----	----	----	----	----	----	----	----	----	----	-----

PRINTED CIRCUIT BOARD
FOR INFORMATION ONLY (NO SERVICE PARTS WILL BE AVAILABLE)

The first digit of a component indicates the component type.

1xxx : Connector 3xxx : Resistor 5xxx : Coil 7xxx : IC, Transistor, FET
2xxx : Capacitor 4xxx : SMD jumper 6xxx : Diode 9xxx : Wire jumper

PSCAN Board Bottom View

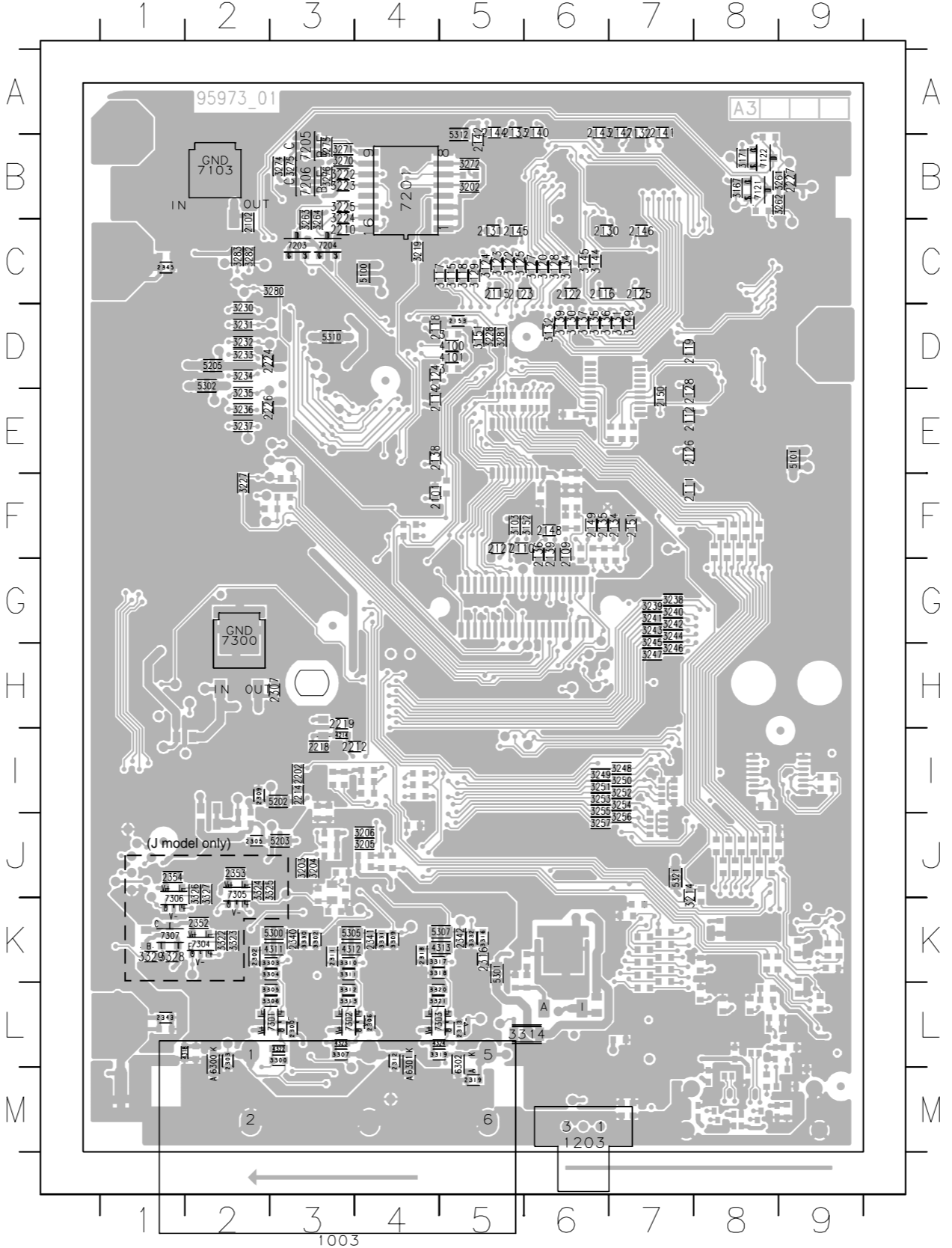


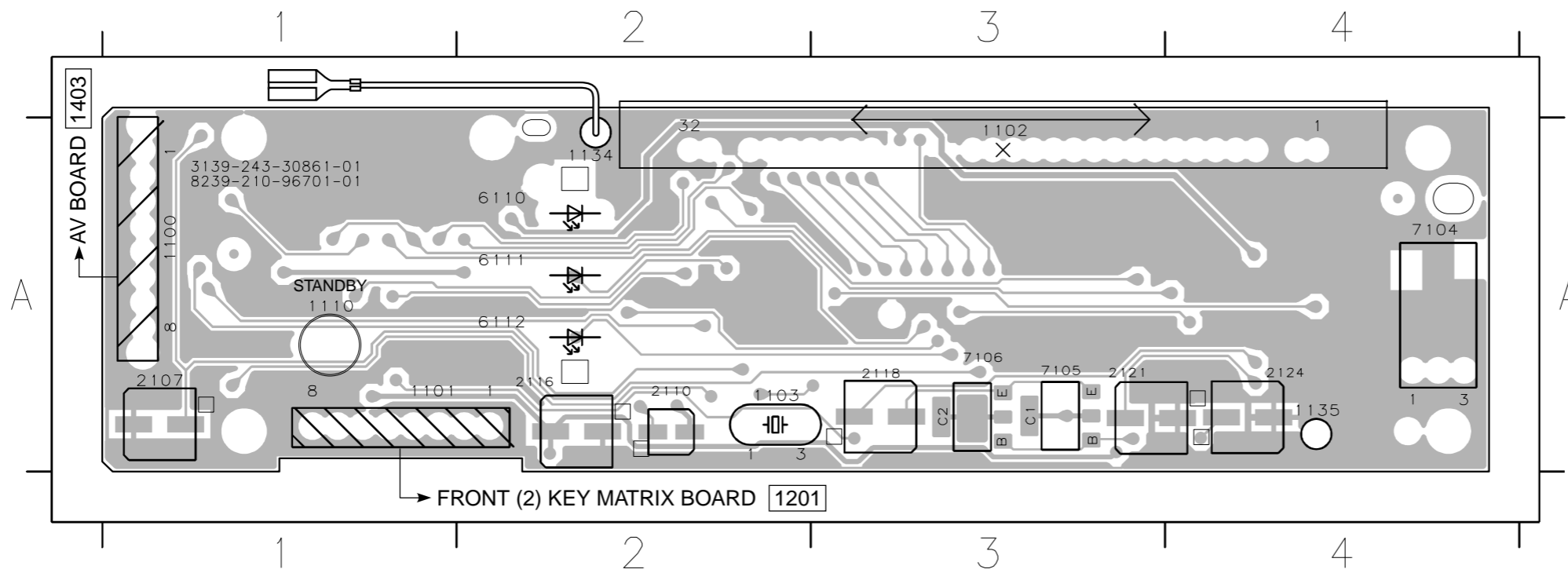
Table of component callouts and values, organized by coordinate. The first column lists component types: 1 (Connector), 2 (Capacitor), 3 (Resistor), 4 (SMD jumper), 5 (Coil), 6 (Diode), 7 (IC, Transistor, FET), and 9 (Wire jumper). The second column lists the component value or identifier. The third column lists the grid coordinates (e.g., A1, B1, C1).

■ PRINTED CIRCUIT BOARD
FOR INFORMATION ONLY (NO SERVICE PARTS WILL BE AVAILABLE)

The first digit of a component indicates the component type.

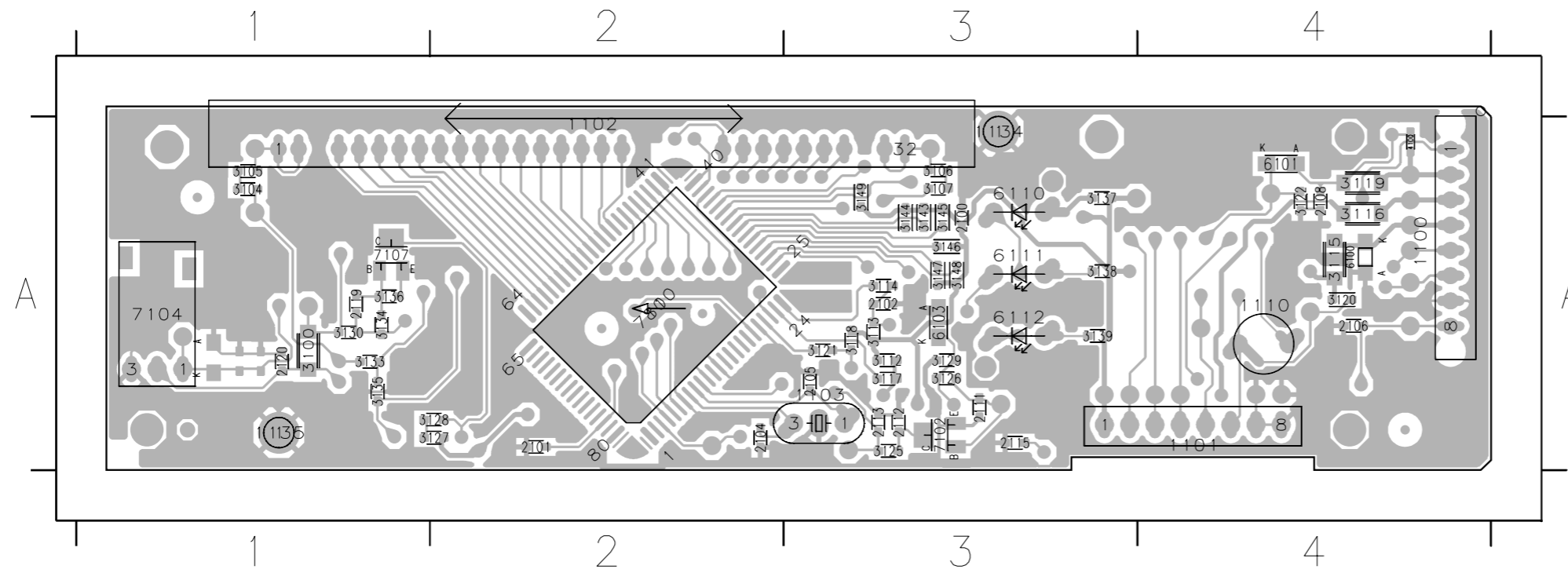
1xxx : Connector 3xxx : Resistor 5xxx : Coil 7xxx : IC, Transistor, FET
2xxx : Capacitor 4xxx : SMD jumper 6xxx : Diode 9xxx : Wire jumper

FRONT (1) DISPLAY Board Top View



1100	A1
1101	A1
1102	A3
1103	A2
1110	A1
1134	A2
1135	A4
2107	A1
2110	A2
2116	A2
2118	A3
2121	A3
2124	A4
6110	A2
6111	A2
6112	A2
7104	A4
7105	A3
7106	A3

FRONT (1) DISPLAY Board Bottom View



2107	A3
1100	A3
1101	A3
1102	A2
1103	A3
1104	A2
1105	A3
1106	A3
1107	A1
1108	A4
1109	A1
1110	A1
1111	A3
1112	A1
1113	A3
1114	A3
1115	A3
1116	A1
1117	A3
1118	A3
1119	A3
1120	A3
1121	A3
1122	A4
1123	A3
1124	A3
1125	A3
1126	A3
1127	A3
1128	A3
1129	A3
1130	A3
1131	A3
1132	A3
1133	A3
1134	A2
1135	A4
1136	A3
1137	A3
1138	A3
1139	A3
1140	A3
1141	A3
1142	A3
1143	A3
1144	A3
1145	A3
1146	A3
1147	A3
1148	A3
1149	A3
1150	A3
1151	A3
1152	A3
1153	A3
1154	A3
1155	A3
1156	A3
1157	A3
1158	A3
1159	A3
1160	A3
1161	A3
1162	A3
1163	A3
1164	A3
1165	A3
1166	A3
1167	A3
1168	A3
1169	A3
1170	A3
1171	A3
1172	A3
1173	A3
1174	A3
1175	A3
1176	A3
1177	A3
1178	A3
1179	A3
1180	A3
1181	A3
1182	A3
1183	A3
1184	A3
1185	A3
1186	A3
1187	A3
1188	A3
1189	A3
1190	A3
1191	A3
1192	A3
1193	A3
1194	A3
1195	A3
1196	A3
1197	A3
1198	A3
1199	A3
1200	A3

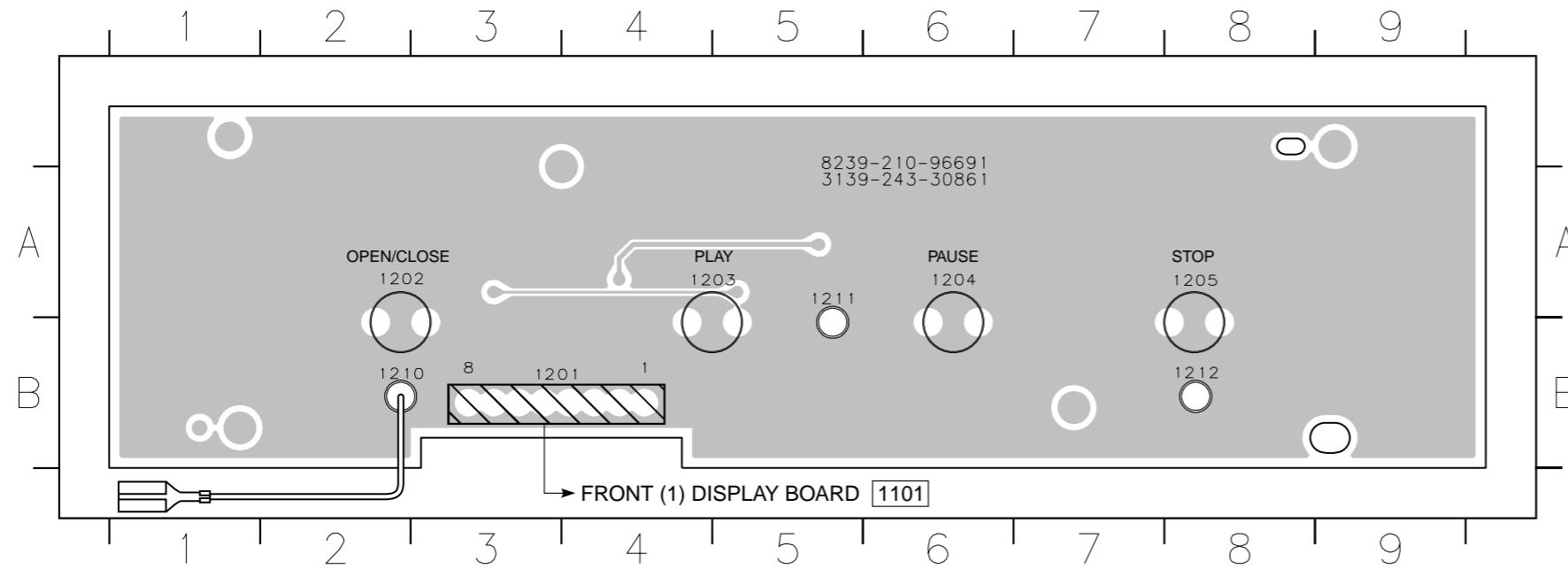
The first digit of a component indicates the component type.

- 1xxx : Connector 3xxx : Resistor 5xxx : Coil 7xxx : IC, Transistor, FET
- 2xxx : Capacitor 4xxx : SMD jumper 6xxx : Diode 9xxx : Wire jumper

PRINTED CIRCUIT BOARD
FOR INFORMATION ONLY (NO SERVICE PARTS WILL BE AVAILABLE)

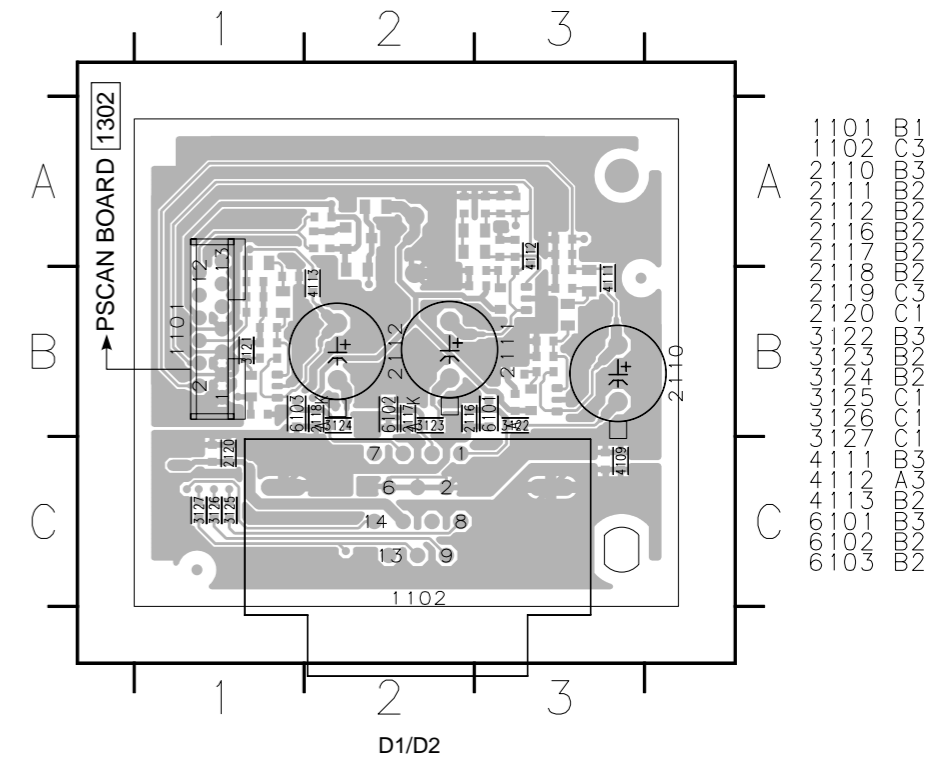
FRONT (2) KEY MATRIX Board Top View

- 1101 B3 1205 A8
- 1202 A2 1210 B2
- 1203 A4 1211 B5
- 1204 A6 1212 B8



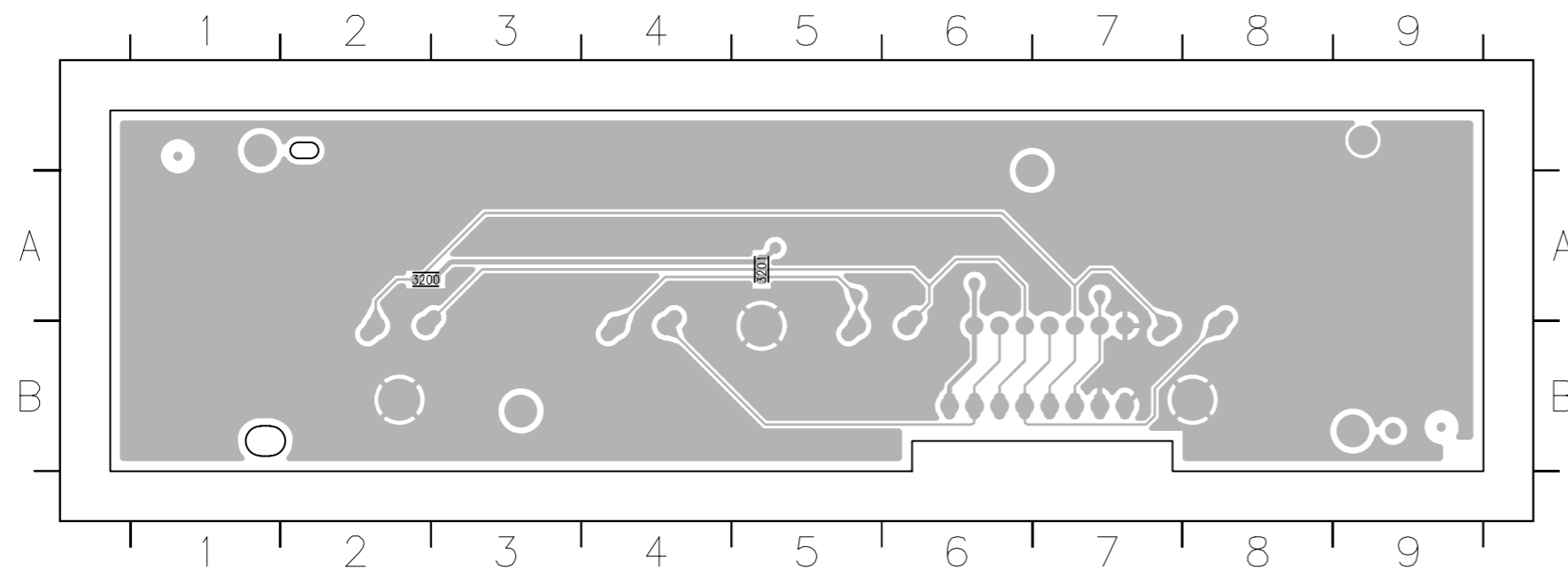
HDMI D2 Board Top View

(J model only)



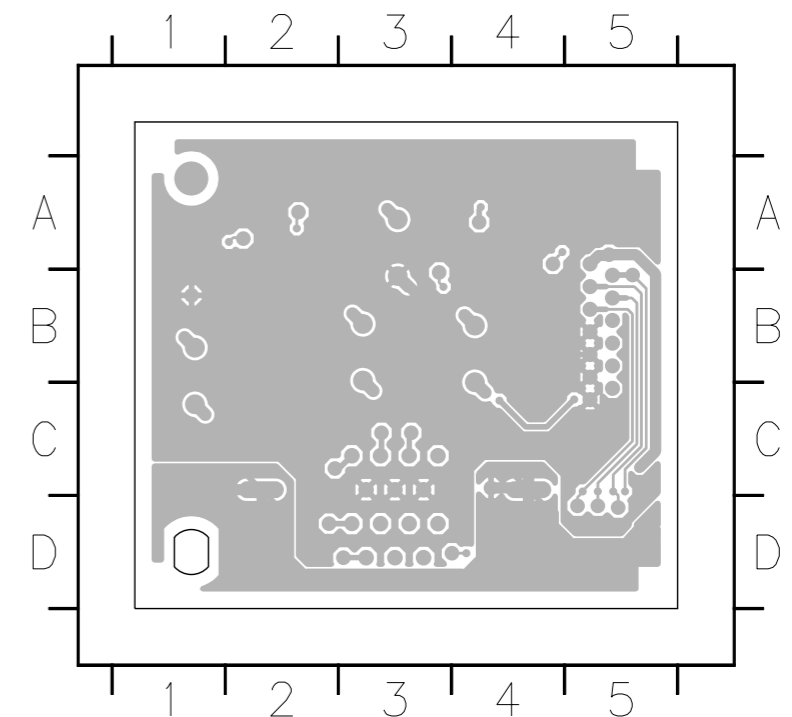
FRONT (2) KEY MATRIX Board Bottom View

- 3200 A2
- 3201 A5



HDMI D2 Bottom View

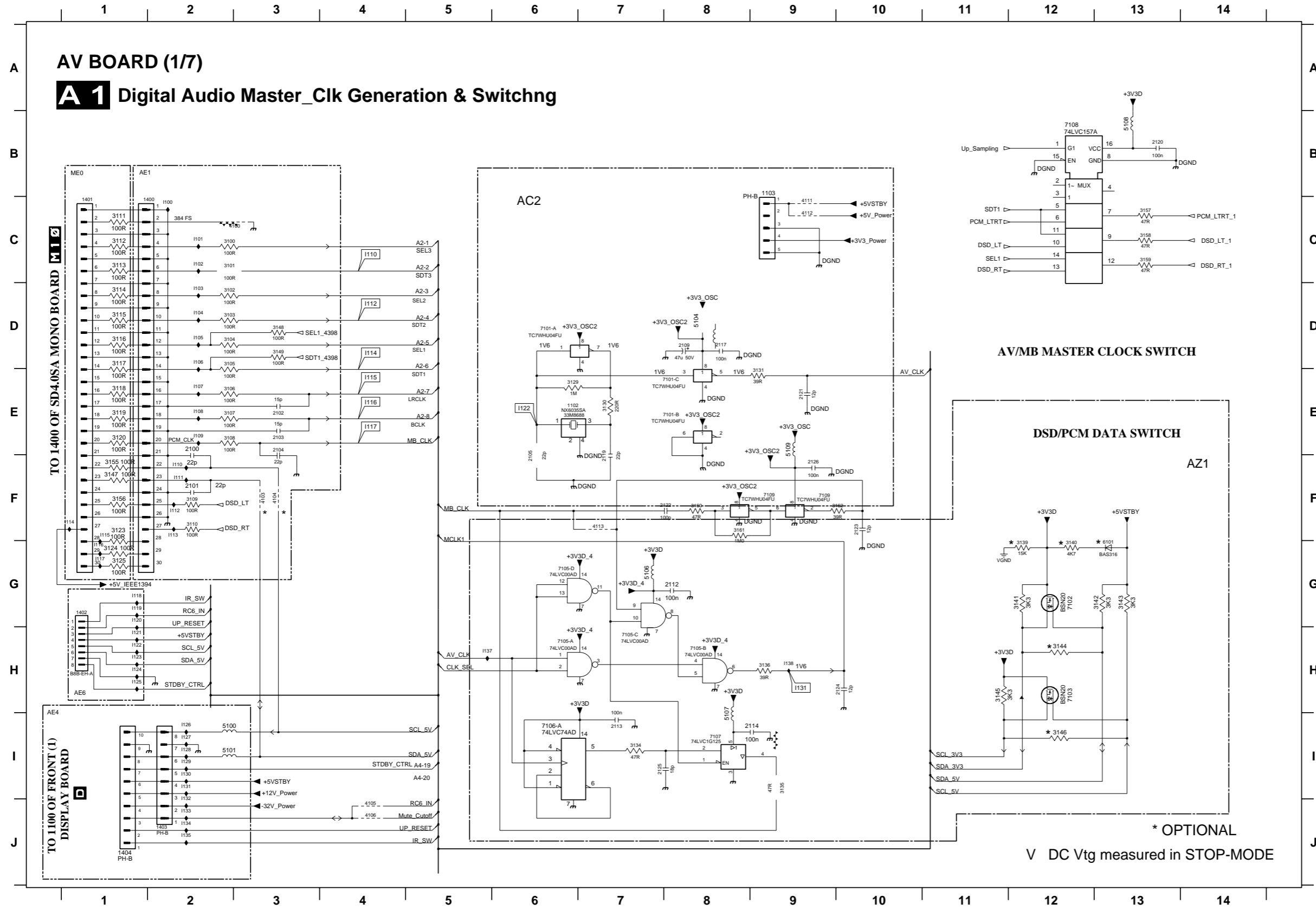
(J model only)



SCHEMATIC DIAGRAM
FOR INFORMATION ONLY (NO SERVICE PARTS WILL BE AVAILABLE)

The first digit of a component indicates the component type.

1xxx : Connector 3xxx : Resistor 5xxx : Coil 7xxx : IC, Transistor, FET
2xxx : Capacitor 4xxx : SMD jumper 6xxx : Diode 9xxx : Wire jumper



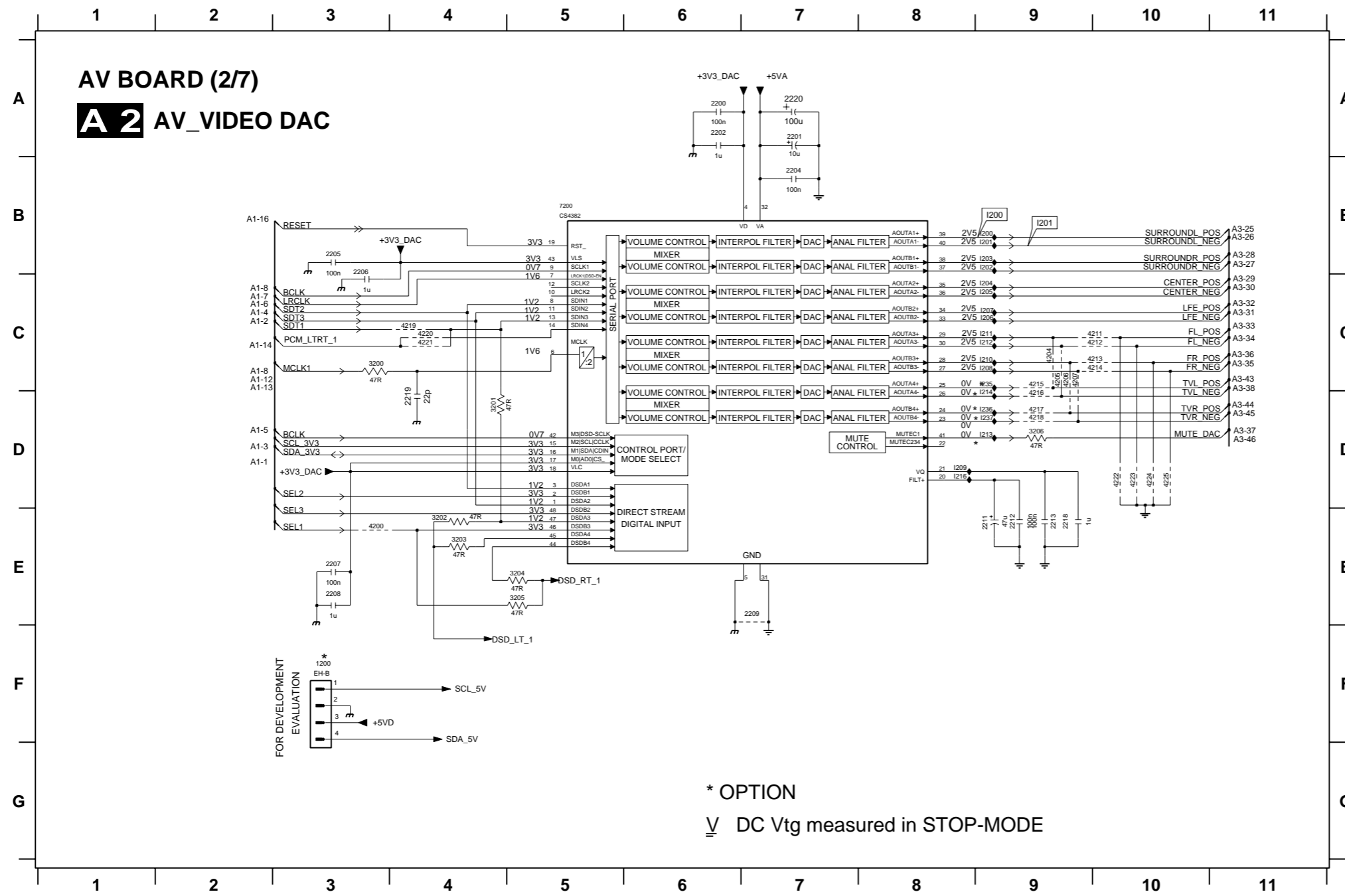
- I102 E6
- I103 B9
- I100 C2
- I101 C1
- I102 G1
- I103 J2
- I104 J1
- I105 E2
- I106 F2
- I107 E3
- I108 E3
- I109 E3
- I110 E3
- I111 F6
- I112 D8
- I113 G8
- I114 I7
- I115 I9
- I116 D8
- I117 D8
- I118 F7
- I119 B13
- I120 E9
- I121 F8
- I122 F10
- I123 H10
- I124 I10
- I125 I7
- I126 I7
- I127 I7
- I128 I2
- I129 I2
- I130 I2
- I131 I2
- I132 I2
- I133 J2
- I134 J2
- I135 J2
- I137 H5
- I138 H9

* Components having special characteristics are marked Δ and must be replaced with parts having specifications equal to those originally installed.
* Schematic diagram is subject to change without notice.

SCHEMATIC DIAGRAM
FOR INFORMATION ONLY (NO SERVICE PARTS WILL BE AVAILABLE)

The first digit of a component indicates the component type.

- 1xxx : Connector 3xxx : Resistor 5xxx : Coil 7xxx : IC, Transistor, FET
- 2xxx : Capacitor 4xxx : SMD jumper 6xxx : Diode 9xxx : Wire jumper



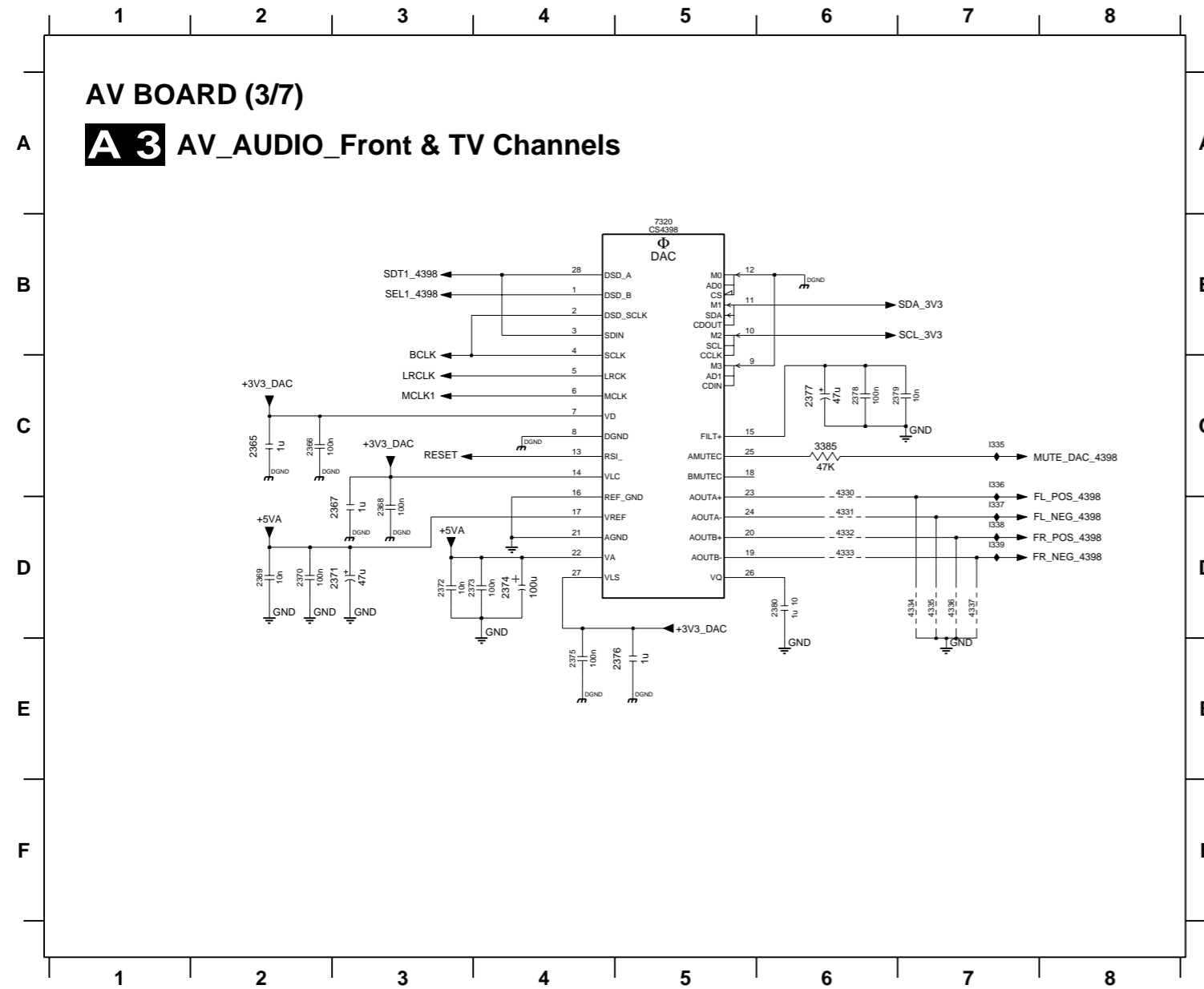
- 1200 F3
- 2200 A6
- 2201 A7
- 2202 A6
- 2204 B7
- 2205 B3
- 2206 C3
- 2207 E3
- 2208 E3
- 2209 E7
- 2211 E9
- 2212 E9
- 2213 E9
- 2218 E9
- 2219 D4
- 2220 A7
- 3200 C3
- 3201 D4
- 3202 E4
- 3203 E4
- 3204 E5
- 3205 E5
- 3206 D9
- 4200 E3
- 4204 C9
- 4205 C9
- 4206 C9
- 4207 C9
- 4211 C10
- 4212 C10
- 4213 C10
- 4214 C10
- 4215 C9
- 4216 D9
- 4217 D9
- 4218 D9
- 4219 C4
- 4220 C4
- 4221 C4
- 4222 D10
- 4223 D10
- 4224 D10
- 4225 D10
- 7200 B5
- I200 B9
- I201 B9
- I202 B9
- I203 B9
- I204 C9
- I205 C9
- I206 C9
- I207 C9
- I208 C9
- I209 D8
- I210 C9
- I211 C9
- I212 C9
- I213 D9
- I214 D9
- I216 D8
- I235 C9
- I236 D9
- I237 D9

* Components having special characteristics are marked Δ and must be replaced with parts having specifications equal to those originally installed.
 * Schematic diagram is subject to change without notice.

■ SCHEMATIC DIAGRAM
FOR INFORMATION ONLY (NO SERVICE PARTS WILL BE AVAILABLE)

The first digit of a component indicates the component type.

1xxx : Connector 3xxx : Resistor 5xxx : Coil 7xxx : IC, Transistor, FET
2xxx : Capacitor 4xxx : SMD jumper 6xxx : Diode 9xxx : Wire jumper



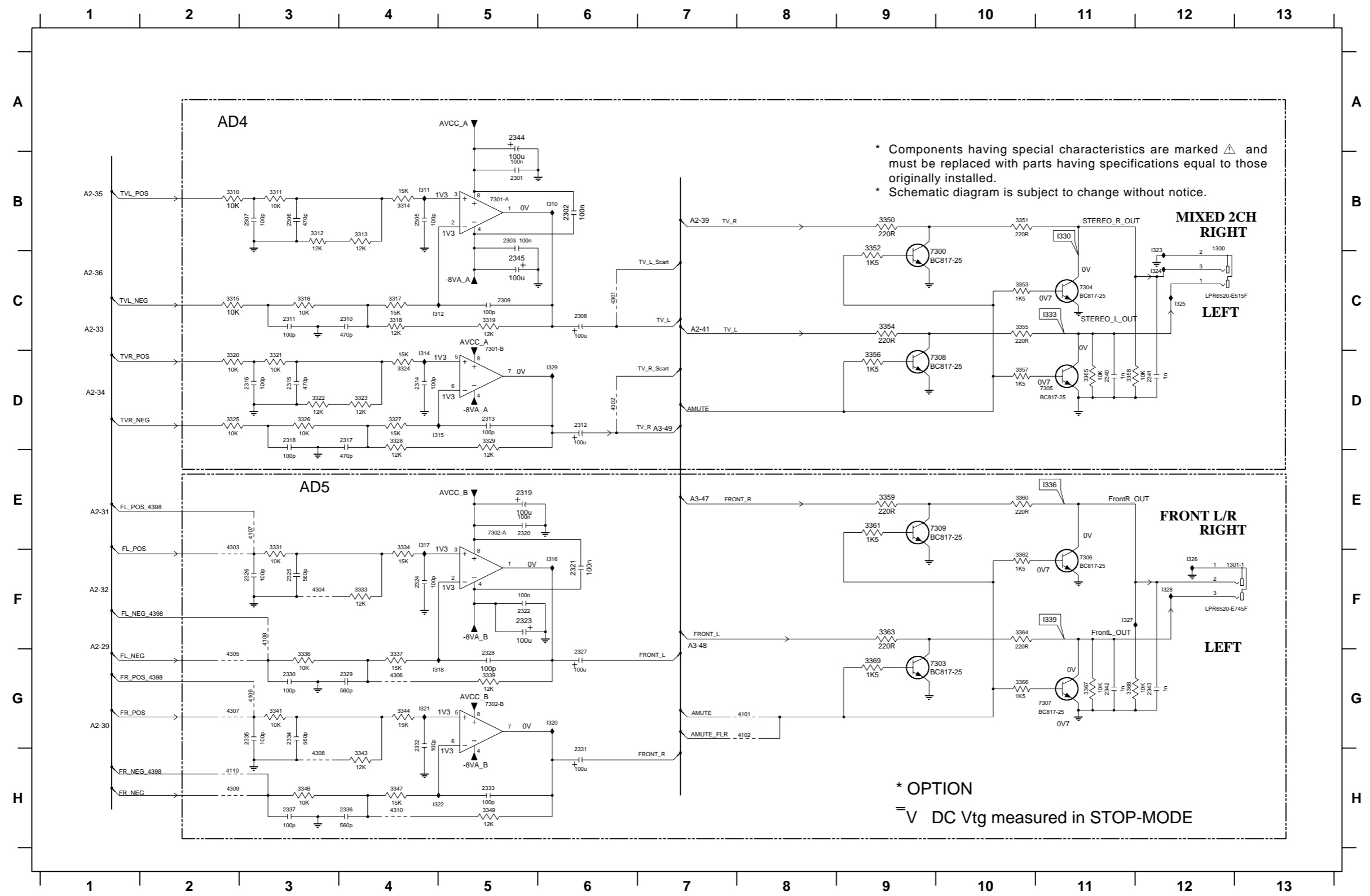
* Components having special characteristics are marked \triangle and must be replaced with parts having specifications equal to those originally installed.
* Schematic diagram is subject to change without notice.

■ SCHEMATIC DIAGRAM
FOR INFORMATION ONLY (NO SERVICE PARTS WILL BE AVAILABLE)

The first digit of a component indicates the component type.
 1xxx : Connector 3xxx : Resistor 5xxx : Coil 7xxx : IC, Transistor, FET
 2xxx : Capacitor 4xxx : SMD jumper 6xxx : Diode 9xxx : Wire jumper

AV BOARD (4/7)

A 4 AV_AUDIO_Front & TV Channels



- 1300 B12
- 1301-1 F13
- 2301 B5
- 2302 B6
- 2303 B5
- 2305 B4
- 2306 B3
- 2307 B3
- 2308 C6
- 2309 C5
- 2310 C4
- 2311 C3
- 2312 D6
- 2313 D5
- 2314 D4
- 2315 D3
- 2316 D3
- 2317 D4
- 2318 D3
- 2319 E5
- 2320 E5
- 2321 F6
- 2322 F5
- 2323 F5
- 2324 F4
- 2325 F3
- 2326 F3
- 2327 G6
- 2328 G5
- 2329 G4
- 2330 G3
- 2331 G6
- 2332 G4
- 2333 H5
- 2334 G3
- 2335 G3
- 2336 H4
- 2337 H3
- 2340 D11
- 2341 D12
- 2342 G11
- 2343 G12
- 2344 A5
- 2345 C5
- 3310 B2
- 3311 B3
- 3312 B3
- 3313 B4
- 3314 B4
- 3315 C2
- 3316 C3
- 3317 C4
- 3318 C4
- 3319 C5
- 3320 D2
- 3321 D3
- 3322 D3
- 3323 D4
- 3324 D4
- 3325 D2
- 3326 D3
- 3327 D4
- 3328 D4
- 3329 D5
- 3331 E3
- 3333 F4
- 3334 E4
- 3336 G3
- 3337 G4
- 3339 G5
- 3341 G3
- 3343 H4
- 3344 G4
- 3346 H3
- 3347 H4
- 3349 H5
- 3350 B9
- 3351 B10
- 3352 B9
- 3353 C10
- 3354 C9
- 3355 C10
- 3356 D9
- 3357 D10
- 3358 D11
- 3359 E9
- 3360 E10
- 3361 E9
- 3362 F10
- 3363 F9
- 3364 F10
- 3365 D11
- 3366 G10
- 3367 G11
- 3368 G11
- 3369 G9
- 4101 G8
- 4102 G8
- 4107 E3
- 4108 F3
- 4109 G3
- 4110 H2
- 4301 C6
- 4302 D6
- 4303 E2
- 4304 F3
- 4305 G2
- 4306 G4
- 4307 G2
- 4308 H3
- 4309 H2
- 4310 H4
- 7300 C9
- 7301-A B5
- 7301-B D5
- 7302-A E5
- 7302-B G5
- 7303 G9
- 7304 C11
- 7305 D11
- 7306 F11
- 7307 G11
- 7308 D9
- 7309 E9
- I310 B6
- I311 B4
- I312 C5
- I314 D4
- I315 D5
- I316 F6
- I317 E4
- I318 G5
- I320 G6
- I321 G4
- I322 H5
- I323 B12
- I324 C12
- I325 C12
- I326 F12
- I327 F11
- I328 F12
- I329 D6

* Components having special characteristics are marked Δ and must be replaced with parts having specifications equal to those originally installed.
 * Schematic diagram is subject to change without notice.

* OPTION
 \overline{V} DC Vtg measured in STOP-MODE

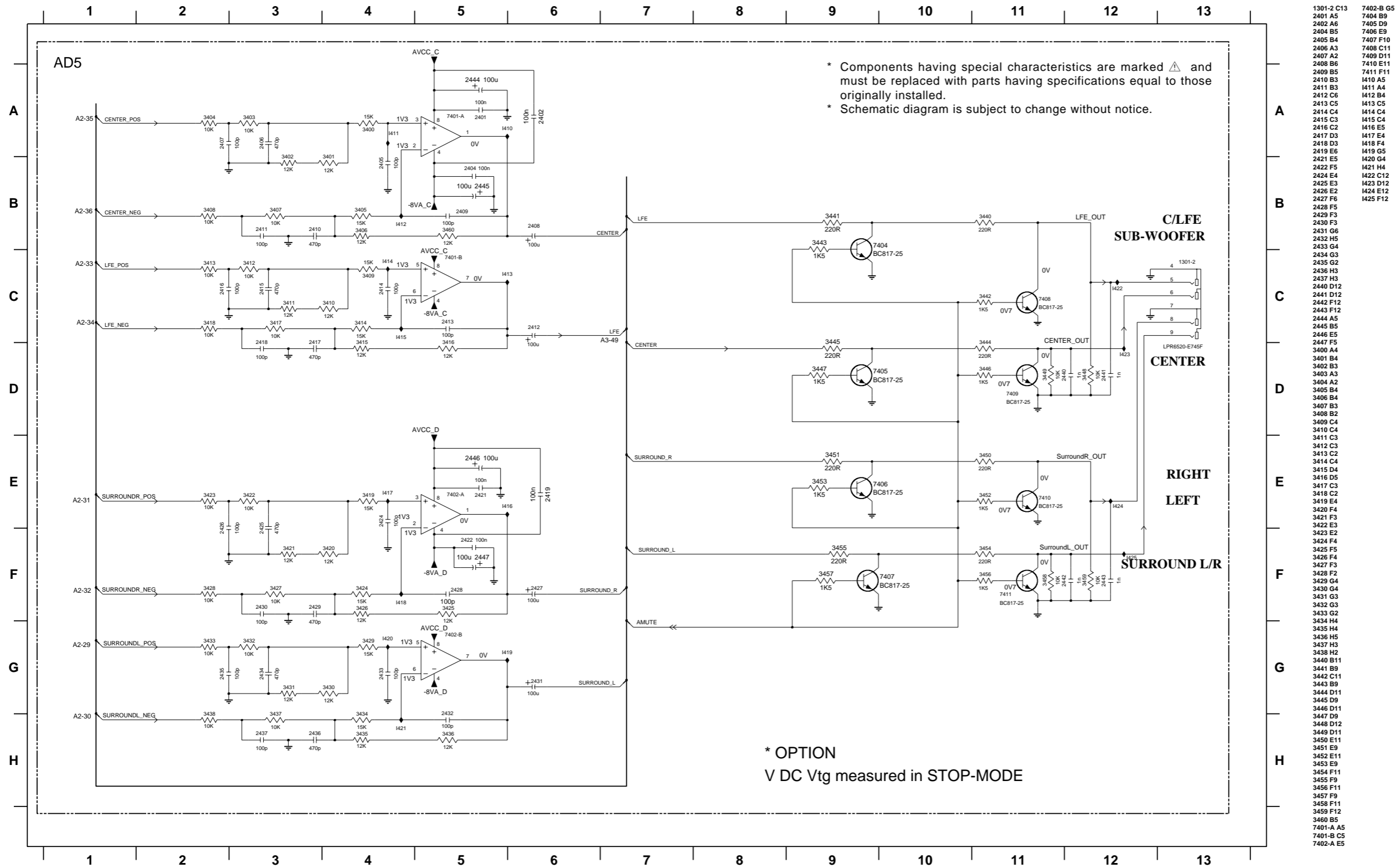
■ SCHEMATIC DIAGRAM
FOR INFORMATION ONLY (NO SERVICE PARTS WILL BE AVAILABLE)

The first digit of a component indicates the component type.

- 1xxx : Connector 3xxx : Resistor 5xxx : Coil 7xxx : IC, Transistor, FET
- 2xxx : Capacitor 4xxx : SMD jumper 6xxx : Diode 9xxx : Wire jumper

AV BOARD (5/7)

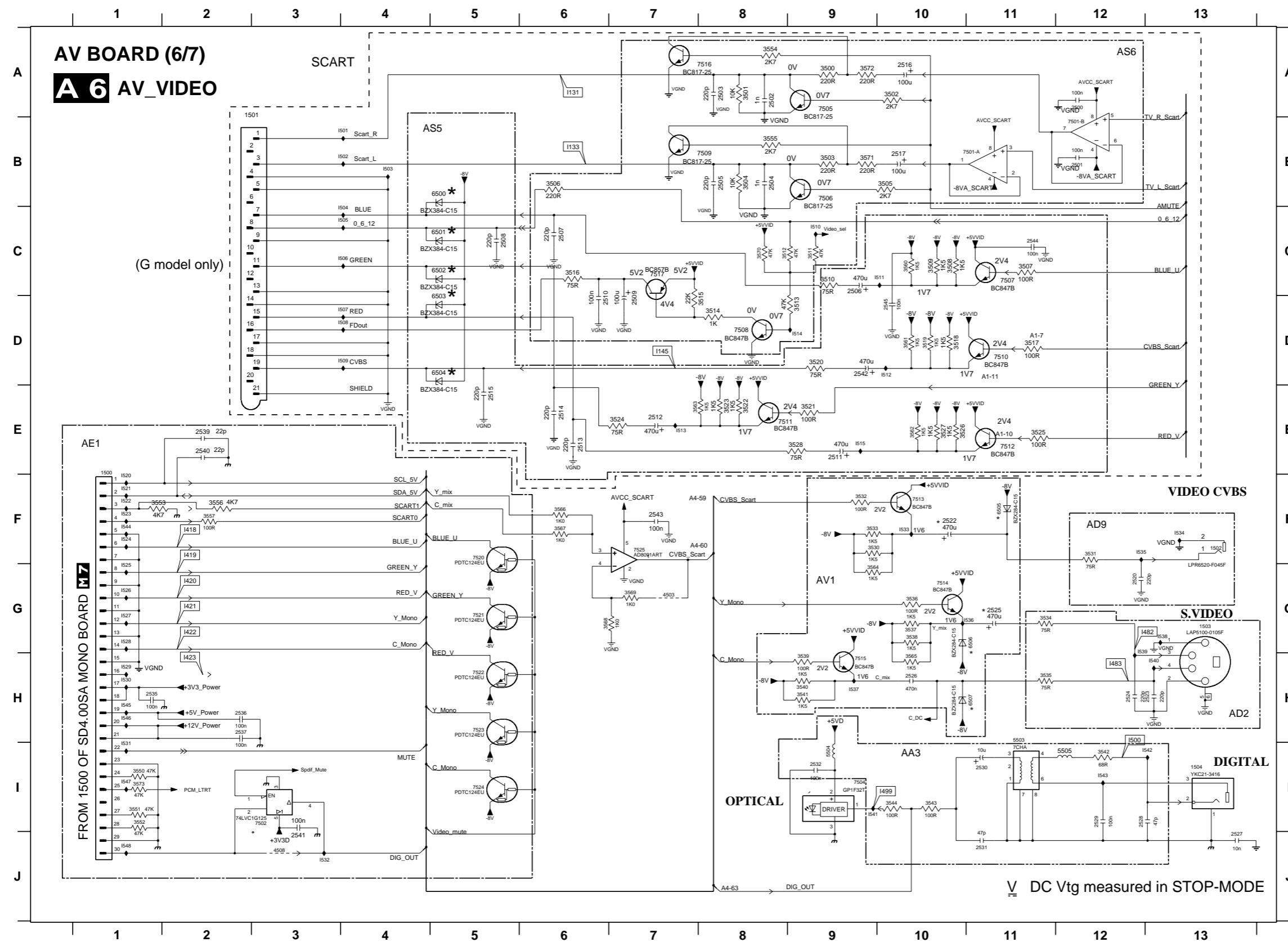
A 5 AV_AUDIO_C/FE & Surround Channels



SCHEMATIC DIAGRAM
FOR INFORMATION ONLY (NO SERVICE PARTS WILL BE AVAILABLE)

The first digit of a component indicates the component type.

- 1xxx : Connector 3xxx : Resistor 5xxx : Coil 7xxx : IC, Transistor, FET
- 2xxx : Capacitor 4xxx : SMD jumper 6xxx : Diode 9xxx : Wire jumper



1500 F1	6503 D5
1501 A3	6504 D5
1502 F13	6505 F11
1503 G13	6506 G11
1504 H13	6507 H11
2500 A12	7501-A B11
2501 B12	7501-B B12
2502 AB	7502 B3
2503 A8	7504 I9
2504 B8	7505 A9
2505 B8	7506 B9
2506 C9	7507 C11
2507 C6	7508 D8
2508 C5	7509 B8
2509 D7	7510 D11
2510 D6	7511 E9
2511 E9	7512 E11
2512 E7	7513 F10
2513 E6	7514 G10
2514 E5	7515 H9
2515 E5	7516 A8
2516 A10	7517 C7
2517 B10	7520 F5
2520 G12	7521 G5
2522 F10	7522 H5
2523 H13	7523 H5
2524 H12	7524 I5
2525 G11	7525 F7
2526 H10	7526 H10
2527 J13	7527 J13
2528 H12	7528 H12
2529 H12	7529 H12
2530 H11	7530 C4
2531 J11	7531 J11
2532 I9	7532 I9
2535 H1	7535 H1
2536 H2	7536 H2
2537 H2	7537 H2
2538 E2	7538 E2
2540 E2	7540 E2
2541 J3	7541 J3
2542 D9	7542 D9
2543 F7	7543 F7
2544 C11	7544 C11
2545 D10	7545 D10
3500 A9	7522 F1
3501 A8	7523 F1
3502 A10	7524 F1
3503 B9	7525 G1
3504 B8	7526 G1
3505 B10	7527 G1
3506 B6	7528 G1
3507 C11	7529 H1
3508 C10	7530 H1
3509 C10	7531 H1
3510 C9	7532 J3
3511 C8	7533 F10
3512 C8	7534 F13
3513 D9	7535 F12
3514 D8	7536 G11
3515 D8	7537 H9
3516 C6	7538 G13
3517 D11	7539 G12
3518 D10	7540 H13
3519 D10	7541 I9
3520 D9	7542 I13
3521 E9	7543 I12
3522 E8	7544 F1
3523 E8	7545 H1
3524 E7	7546 H1
3525 E11	7547 H1
3526 E10	7548 J1
3527 E10	
3528 E9	
3530 F9	
3531 F12	
3532 F9	
3533 F9	
3534 G11	
3535 H11	
3536 G10	
3537 G10	
3538 G10	
3539 H9	
3540 H9	
3541 H9	
3542 H12	
3543 H10	
3544 H10	
3550 I1	
3551 I1	
3552 I1	
3553 F1	
3554 A8	
3555 B8	
3556 F2	
3557 F2	
3560 C10	
3561 D10	
3562 E10	
3563 E7	
3564 G9	
3565 H10	
3566 F6	
3567 F6	
3568 G6	
3569 G7	
3570 C8	
3571 B9	
3572 A9	
3573 H1	
4503 G7	
4508 J3	
5503 H11	
5504 I9	
5505 H12	
6500 B5	
6501 C5	
6502 C5	

* Components having special characteristics are marked Δ and must be replaced with parts having specifications equal to those originally installed.
* Schematic diagram is subject to change without notice.

■ SCHEMATIC DIAGRAM
FOR INFORMATION ONLY (NO SERVICE PARTS WILL BE AVAILABLE)

AV BOARD (7/7)

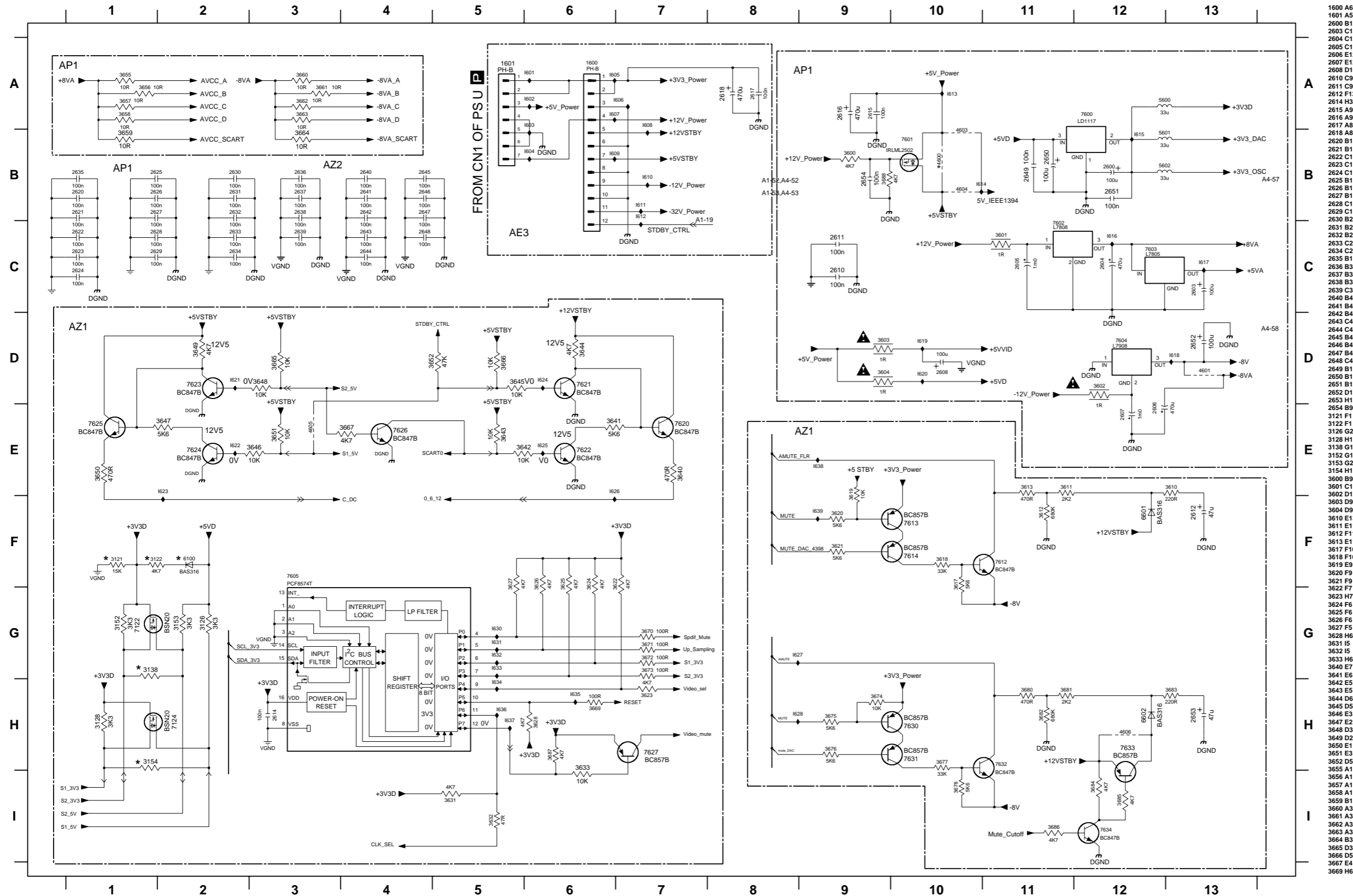
A7

The first digit of a component type.

1xxx : Connector 3xxx : Resistor 5xxx : Coil 7xxx : IC, Transistor, FET

2xxx : Capacitor 4xxx : SMD jumper 6xxx : Diode 9xxx : Wire jumper

* Components having special characteristics are marked Δ and must be replaced with parts having specifications equal to those originally installed.
* Schematic diagram is subject to change without notice.

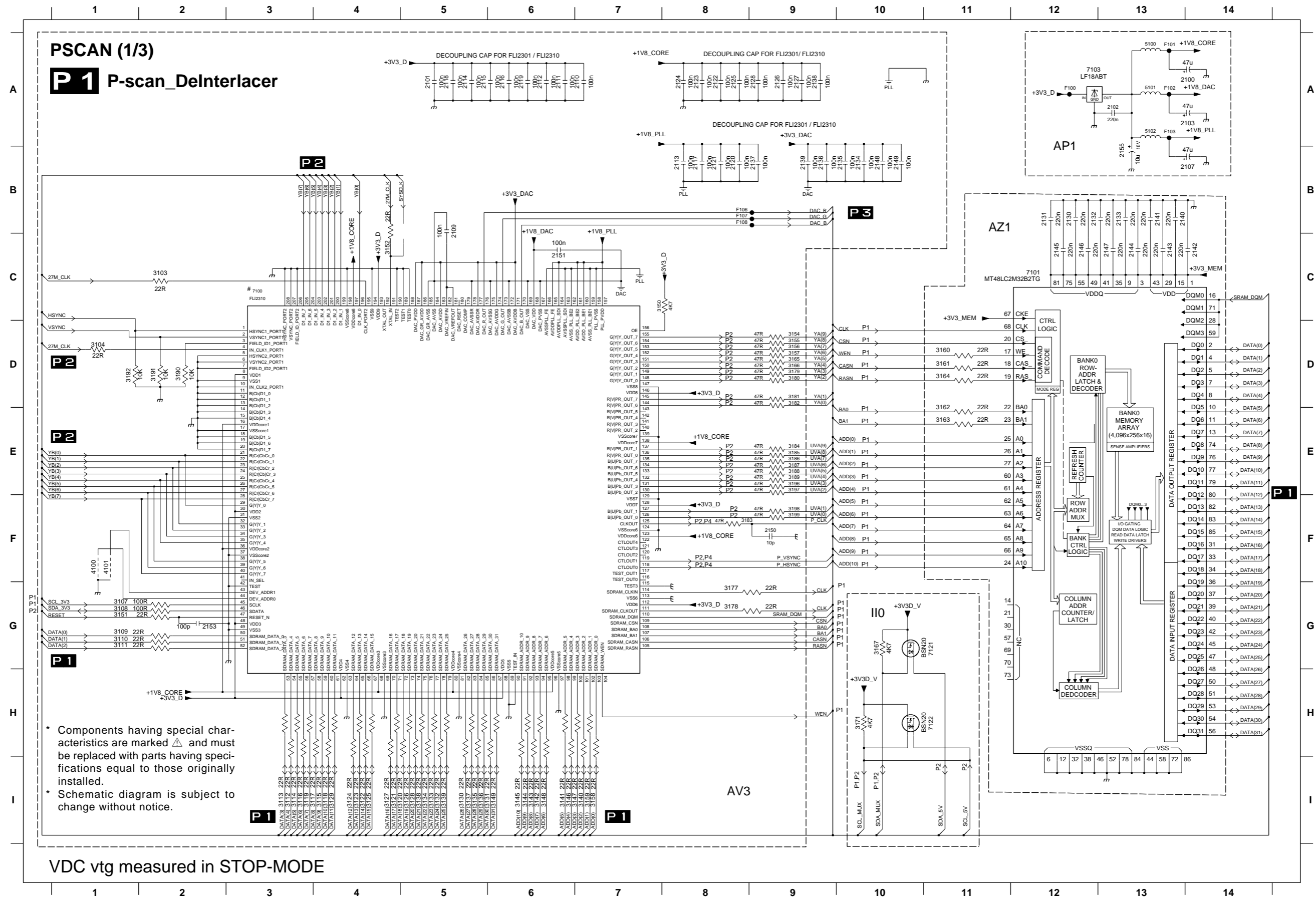


1600 A6	3670 G7
1601 A5	3671 G7
2600 B12	3672 G7
2603 C13	3673 G7
2604 C12	3674 H9
2605 C11	3675 H9
2606 E12	3676 H9
2607 E12	3677 H10
2608 D10	3678 H10
2610 C9	3680 H11
2611 C9	3681 H11
2612 F13	3682 H11
2614 H3	3683 H13
2615 A9	3684 I12
2616 A9	3685 I12
2617 A8	3686 I11
2618 A8	3687 H6
2620 B1	3688 B9
2621 B1	4600 B10
2622 C1	4601 D13
2623 C1	4603 B10
2624 C1	4604 B10
2625 B1	4605 E3
2626 B1	4606 H12
2627 B1	5600 A12
2628 C1	5601 B12
2629 C1	5602 B12
2630 B2	6100 F2
2631 B2	6601 F12
2632 B2	6602 H12
2633 C2	7122 G1
2634 C2	7124 H2
2635 B1	7600 A12
2636 B3	7601 B10
2637 B3	7602 C11
2638 B3	7603 C12
2639 C3	7604 D12
2640 B4	7605 F3
2641 B4	7612 F11
2642 B4	7613 F10
2643 C4	7614 F10
2644 C4	7620 E7
2645 B4	7621 D6
2646 B4	7622 E6
2647 B4	7623 D2
2648 C4	7624 E2
2649 B11	7625 E1
2650 B11	7626 E4
2651 B12	7627 H7
2652 D13	7630 H10
2653 H13	7631 H10
2654 B9	7632 H11
3121 F1	7633 H12
3122 F1	7634 I12
3126 G2	I601 A6
3128 H1	I602 A6
3138 G1	I603 A6
3152 G1	I604 B6
3153 G2	I605 A6
3154 H1	I606 A7
3600 B9	I607 A6
3601 C11	I608 A7
3602 D12	I609 B6
3603 D9	I610 B7
3604 D9	I611 B7
3610 E13	I612 B7
3611 E11	I613 A10
3612 F11	I614 B10
3613 E11	I615 B10
3617 F10	I616 C12
3618 F10	I617 C13
3619 E9	I618 D13
3620 F9	I619 D10
3621 F9	I620 D10
3622 F7	I621 D2
3623 H7	I622 E2
3624 F6	I623 E2
3625 F6	I624 D6
3626 F6	I625 E6
3627 F5	I626 E6
3628 H6	I627 G8
3631 I5	I628 H8
3632 I5	I630 G5
3633 H6	I631 G5
3640 E7	I632 G5
3641 E6	I633 G5
3642 E5	I634 H5
3643 E5	I635 H6
3644 D6	I636 H5
3645 D5	I637 H5
3646 E3	I638 E9
3647 E2	I639 F9
3648 D3	
3649 D2	
3650 E1	
3651 C3	
3652 D5	
3655 A1	
3656 A1	
3657 A1	
3658 A1	
3659 B1	
3660 A3	
3661 A3	
3662 A3	
3663 A3	
3664 B3	
3665 D3	
3666 D5	
3667 E4	
3669 H6	

SCHEMATIC DIAGRAM
FOR INFORMATION ONLY (NO SERVICE PARTS WILL BE AVAILABLE)

The first digit of a component indicates the component type.

- 1xxx : Connector 3xxx : Resistor 5xxx : Coil 7xxx : IC, Transistor, FET
- 2xxx : Capacitor 4xxx : SMD jumper 6xxx : Diode 9xxx : Wire jumper



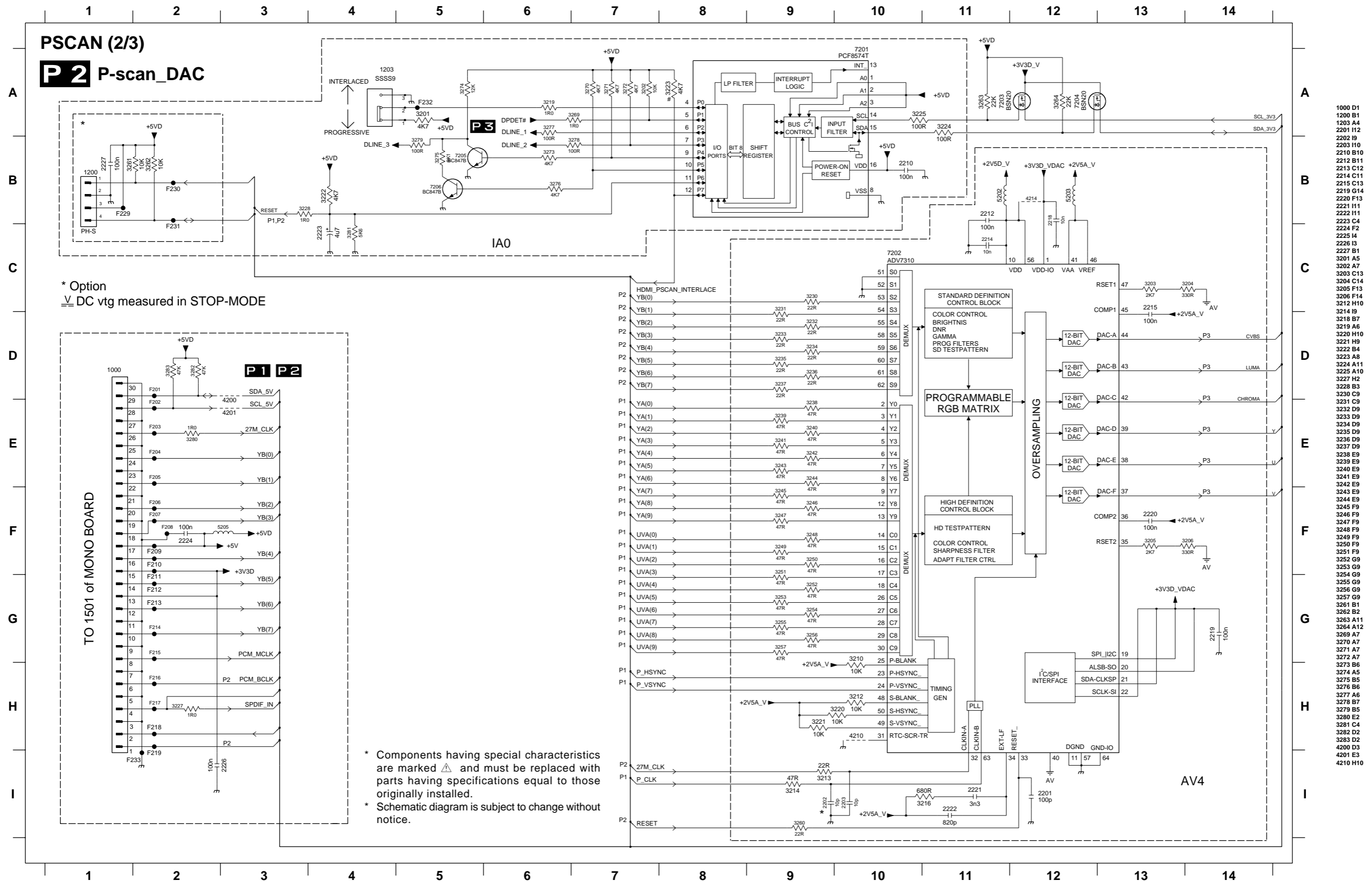
- 2100 A14 3163 E11
- 2101 A5 3164 D11
- 2102 A13 3165 D9
- 2103 A14 3166 D9
- 2107 B14 3167 G10
- 2109 B5 3171 H10
- 2110 A7 3177 G8
- 2111 A6 3178 G8
- 2112 A6 3179 D9
- 2113 B8 3180 D9
- 2114 A5 3181 D9
- 2115 A5 3182 D9
- 2116 A6 3183 F8
- 2117 B8 3184 E9
- 2118 A5 3185 E9
- 2119 A6 3186 E9
- 2120 B8 3187 E9
- 2121 B8 3188 E9
- 2122 A8 3189 E9
- 2123 A8 3190 D2
- 2124 A8 3191 D2
- 2125 A8 3192 D1
- 2126 A9 3196 E9
- 2127 A9 3197 E9
- 2128 A9 3198 F9
- 2130 B12 3199 F9
- 2131 B12 4100 F1
- 2132 B12 4101 F1
- 2133 B13 5100 A13
- 2134 B10 5101 A13
- 2135 B10 5102 A13
- 2136 B9 7100 C3
- 2137 B9 7101 C12
- 2138 A9 7103 A12
- 2139 B9 7121 H11
- 2140 B13 7122 H11
- 2141 B13 F100 A12
- 2142 C14 F101 A13
- 2143 C13 F102 A13
- 2144 C13 F103 A13
- 2145 C13 F106 B8
- 2146 C12 F107 B8
- 2147 C13 F108 B8
- 2148 B10 3109 G1
- 2149 B10 3110 G1
- 2150 F9 3111 G1
- 2151 C6 3112 I3
- 2152 G2 3113 I3
- 2153 G2 3114 I3
- 2155 B13 3115 I4
- 3107 G1 3116 I3
- 3108 G1 3117 I3
- 3109 G1 3118 I3
- 3110 G1 3119 I3
- 3111 G1 3120 I4
- 3112 I3 3121 I4
- 3113 I3 3122 I4
- 3114 I3 3123 I4
- 3115 I4 3124 I4
- 3116 I3 3125 I4
- 3117 I3 3126 I5
- 3118 I3 3127 I5
- 3119 I3 3128 I5
- 3120 I4 3129 I5
- 3121 I4 3130 I5
- 3122 I4 3131 I5
- 3123 I4 3132 I5
- 3124 I4 3133 I5
- 3125 I4 3134 I5
- 3126 I5 3135 I5
- 3127 I5 3136 I5
- 3128 I5 3137 I5
- 3129 I5 3138 I5
- 3130 I5 3139 I5
- 3131 I5 3140 I7
- 3132 I5 3141 I6
- 3133 I5 3142 I6
- 3134 I5 3143 I6
- 3135 I5 3144 I6
- 3136 I5 3145 I6
- 3137 I5 3146 I6
- 3138 I5 3147 I7
- 3139 I5 3148 I6
- 3140 I7 3149 I6
- 3141 I6 3150 C7
- 3142 I6 3151 G1
- 3143 I6 3152 C4
- 3144 I6 3154 D9
- 3145 I6 3155 D9
- 3146 I6 3156 D9
- 3147 I7 3157 D9
- 3148 I6 3158 I7
- 3149 I6 3159 I7
- 3150 C7 3160 D11
- 3151 G1 3161 D11
- 3152 C4 3162 E11

VDC vtg measured in STOP-MODE

SCHEMATIC DIAGRAM
FOR INFORMATION ONLY (NO SERVICE PARTS WILL BE AVAILABLE)

The first digit of a component indicates the component type.

1xxx : Connector 3xxx : Resistor 5xxx : Coil 7xxx : IC, Transistor, FET
 2xxx : Capacitor 4xxx : SMD jumper 6xxx : Diode 9xxx : Wire jumper

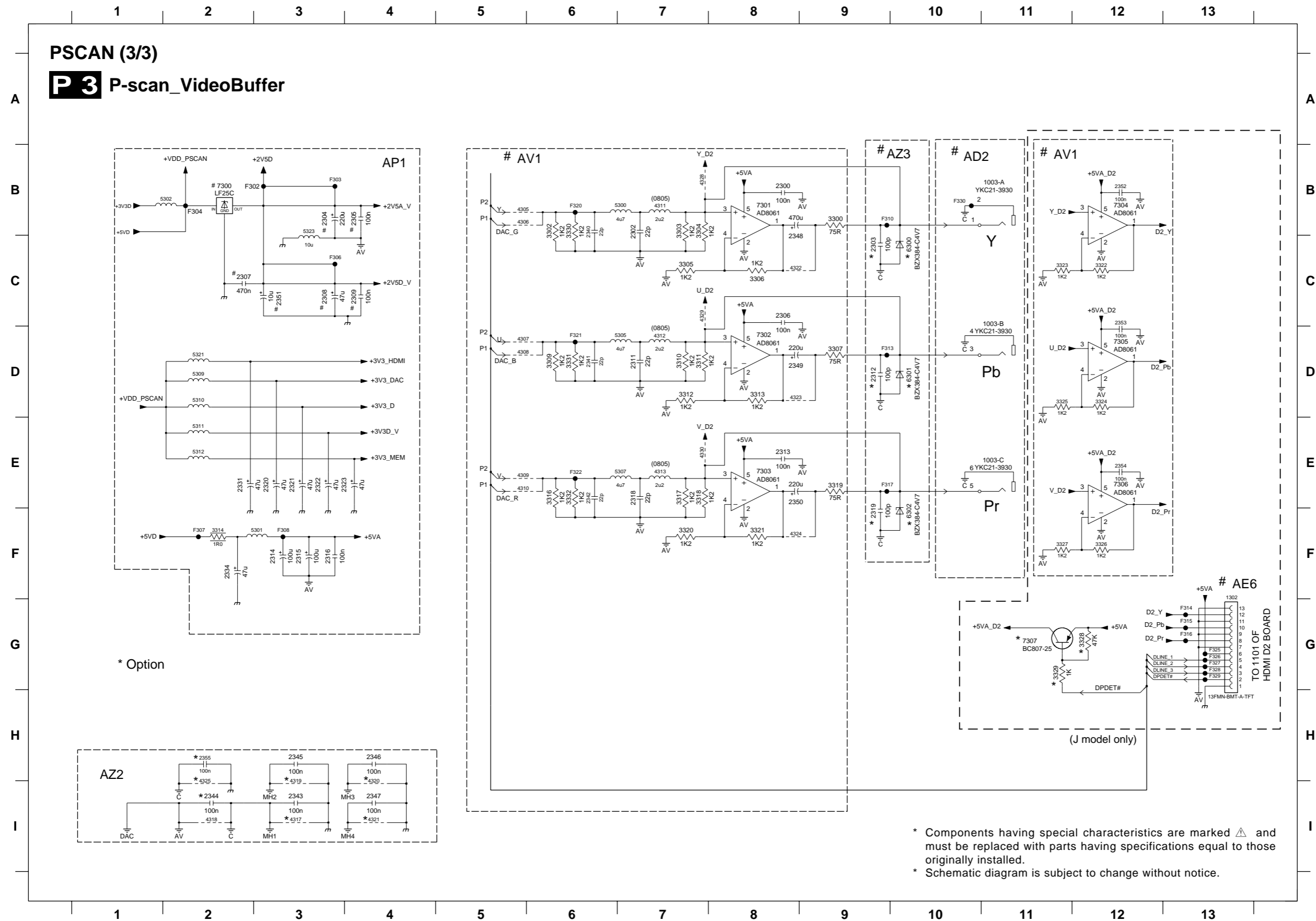


- 1000 D1
- 1200 B1
- 1203 A4
- 2201 H2
- 2202 I9
- 2203 H0
- 2210 B10
- 2212 B11
- 2213 C12
- 2214 C11
- 2215 C13
- 2219 G14
- 2220 F13
- 2221 H11
- 2222 H11
- 2223 C4
- 2224 F2
- 2225 I4
- 2226 I3
- 2227 B1
- 3201 A5
- 3202 A7
- 3203 C13
- 3204 C14
- 3205 F13
- 3206 F14
- 3212 H10
- 3214 I9
- 3218 B7
- 3219 A6
- 3220 H10
- 3221 H9
- 3222 B4
- 3223 A8
- 3224 A11
- 3225 A10
- 3227 H2
- 3228 B3
- 3230 C9
- 3231 C9
- 3232 D9
- 3233 D9
- 3234 D9
- 3235 D9
- 3236 D9
- 3237 D9
- 3238 E9
- 3239 E9
- 3240 E9
- 3241 E9
- 3242 E9
- 3243 E9
- 3244 E9
- 3245 F9
- 3246 F9
- 3247 F9
- 3248 F9
- 3249 F9
- 3250 F9
- 3251 F9
- 3252 G9
- 3253 G9
- 3254 G9
- 3255 G9
- 3256 G9
- 3257 G9
- 3261 B1
- 3262 B2
- 3263 A11
- 3264 A12
- 3269 A7
- 3270 A7
- 3271 A7
- 3272 A7
- 3273 B6
- 3274 A5
- 3275 B5
- 3276 B6
- 3277 A6
- 3278 B7
- 3279 B5
- 3280 E2
- 3281 C4
- 3282 D2
- 3283 D2
- 4200 D3
- 4201 E3
- 4210 H10
- 4214 B12
- 5201 G14
- 5202 B11
- 5203 B12
- 5205 F3
- 7201 A10
- 7202 C10
- 7204 A11
- 7205 B5
- 7206 B5
- F201 D2
- F202 E2
- F203 E2
- F204 E2
- F205 E2
- F206 F2
- F207 F2
- F208 F2
- F209 F2
- F210 F2
- F211 G2
- F212 H2
- F213 G2
- F214 G2
- F215 G2
- F216 H2
- F217 H2
- F218 H2
- F219 I2
- F229 B1
- F230 B2
- F231 C2
- F232 A5
- F233 I2

SCHEMATIC DIAGRAM
FOR INFORMATION ONLY (NO SERVICE PARTS WILL BE AVAILABLE)

The first digit of a component indicates the component type.

1xxx : Connector 3xxx : Resistor 5xxx : Coil 7xxx : IC, Transistor, FET
2xxx : Capacitor 4xxx : SMD jumper 6xxx : Diode 9xxx : Wire jumper



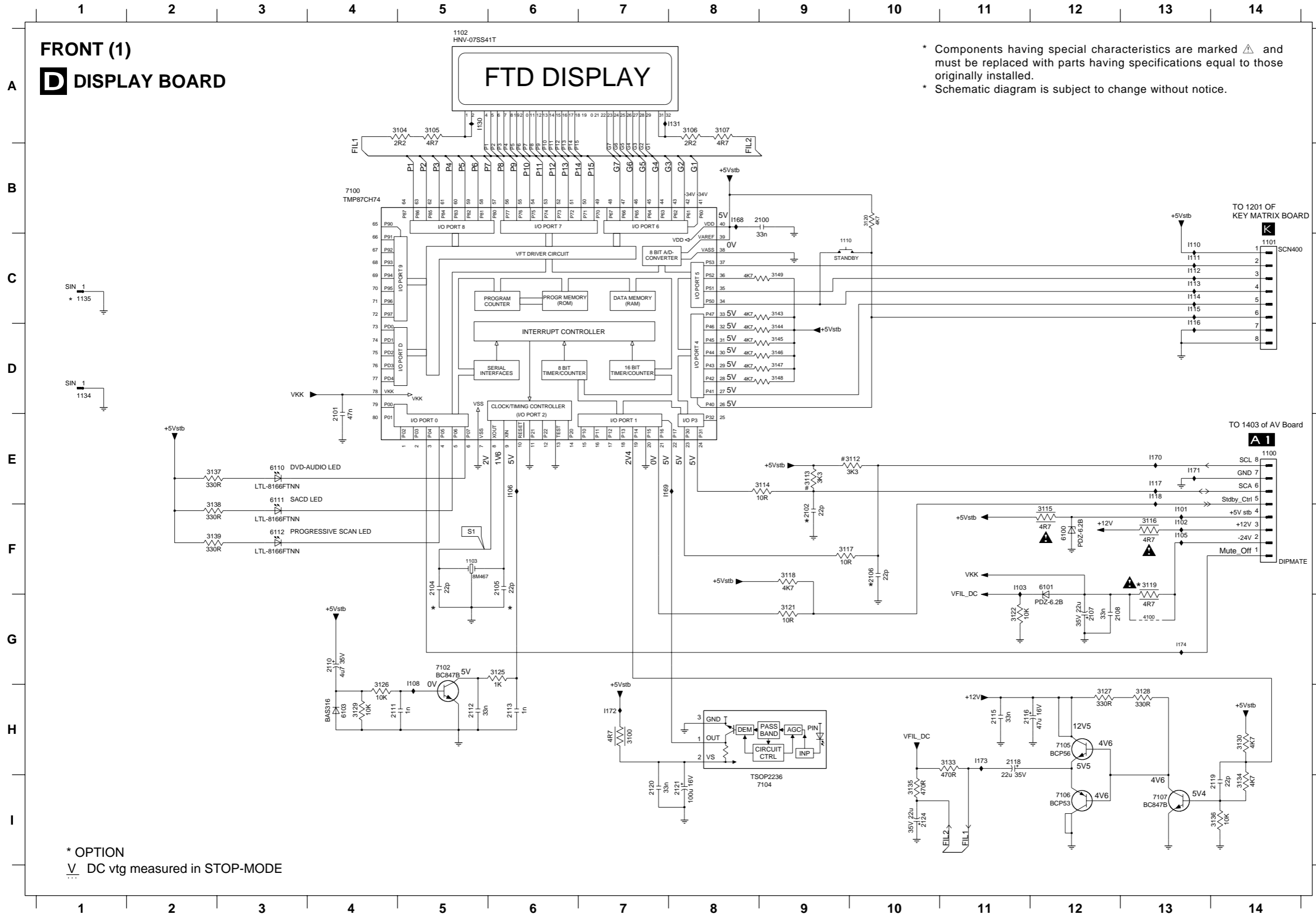
- 1003-A B11 5300 B7
- 1003-B C11 5301 F3
- 1003-C E11 5302 B2
- 1302 F13 5305 D7
- 2300 B8 5307 E7
- 2302 B7 5309 D2
- 2303 C9 5310 D2
- 2304 B3 5311 E2
- 2305 B4 5312 E2
- 2306 C8 5320 D2
- 2307 C2 5321 D2
- 2308 C3 5322 F3
- 2309 C4 5323 B3
- 2311 D7 6300 C10
- 2312 D9 6301 D10
- 2313 E8 6302 F10
- 2314 F3 7300 B2
- 2315 F3 7301 B8
- 2316 F3 7302 D8
- 2318 E7 7303 E8
- 2319 F9 7304 B12
- 2320 E3 7305 D12
- 2321 E3 7306 E12
- 2322 E3 7307 G11
- 2323 E4 F302 B2
- 2321 E2 F303 B3
- 2340 B6 F304 B2
- 2341 D6 F306 C3
- 2342 E6 F307 F2
- 2343 I3 F308 F3
- 2345 H3 F309 F3
- 2346 H4 F310 B9
- 2348 B8 F313 D9
- 2349 D8 F314 G13
- 2350 E8 F315 G13
- 2351 C3 F316 G13
- 2352 B12 F317 E9
- 2353 C12 F320 B6
- 2354 E12 F321 D6
- 3300 B9 F322 E6
- 3302 B6 F324 D13
- 3303 B7 F325 G13
- 3304 B7 F326 G13
- 3305 C7 F327 G13
- 3306 C8 F328 G13
- 3307 D9 F329 G13
- 3308 D6 F330 B10
- 3310 D7
- 3311 D7
- 3312 D7
- 3313 D8
- 3314 F2
- 3316 E6
- 3317 E7
- 3318 E7
- 3319 E9
- 3320 F7
- 3321 F8
- 3322 C12
- 3323 C11
- 3324 D12
- 3325 D11
- 3326 F12
- 3327 F11
- 3328 G12
- 3329 G11
- 3330 B6
- 3331 D6
- 3332 E6
- 4305 B5
- 4306 B5
- 4307 D5
- 4308 D5
- 4309 E5
- 4310 E5
- 4311 B7
- 4312 D7
- 4313 E7
- 4318 I2
- 4319 I3
- 4322 C8
- 4323 D8
- 4324 F8
- 4328 B7
- 4329 C7
- 4330 E7

* Components having special characteristics are marked with a triangle and must be replaced with parts having specifications equal to those originally installed.
* Schematic diagram is subject to change without notice.

■ SCHEMATIC DIAGRAM
FOR INFORMATION ONLY (NO SERVICE PARTS WILL BE AVAILABLE)

The first digit of a component indicates the component type.

1xxx : Connector 3xxx : Resistor 5xxx : Coil 7xxx : IC, Transistor, FET
2xxx : Capacitor 4xxx : SMD jumper 6xxx : Diode 9xxx : Wire jumper



* Components having special characteristics are marked Δ and must be replaced with parts having specifications equal to those originally installed.
* Schematic diagram is subject to change without notice.

- 1100 E14
- 1101 C14
- 1102 A5
- 1103 F5
- 1110 C9
- 1134 D1
- 1135 C1
- 2100 B9
- 2101 E4
- 2102 F9
- 2104 F5
- 2105 F6
- 2106 F10
- 2107 G12
- 2108 G12
- 2110 C4
- 2111 H4
- 2112 H5
- 2113 H6
- 2115 H11
- 2116 H11
- 2118 H11
- 2119 H14
- 2120 I7
- 2121 I8
- 2124 I10
- 3100 H7
- 3104 A5
- 3105 A5
- 3106 A8
- 3107 A8
- 3112 E10
- 3113 E9
- 3114 E9
- 3115 F12
- 3116 F13
- 3117 F9
- 3118 F9
- 3119 F13
- 3120 B10
- 3121 G9
- 3122 G11
- 3125 G6
- 3126 H4
- 3127 H12
- 3128 H13
- 3129 H4
- 3130 H14
- 3133 H11
- 3134 H14
- 3135 I10
- 3136 I14
- 3137 E2
- 3138 F2
- 3139 F2
- 3143 C9
- 3144 D9
- 3145 D9
- 3146 D9
- 3147 D9
- 3148 D9
- 3149 C9
- 4100 G13
- 6100 F12
- 6101 F12
- 6103 H4
- 6110 E3
- 6111 E3
- 6112 F3
- 7100 B4
- 7102 G5
- 7104 I9
- 7105 H12
- 7106 H12
- 7107 H13
- I101 F13
- I102 F13
- I103 F11
- I105 F13
- I106 E6
- I108 G5
- I110 C13
- I111 C13
- I112 C13
- I113 C13
- I115 C13
- I116 C13
- I117 E13
- I118 E13
- I130 A5
- I131 A8
- I168 B8
- I169 E7
- I170 E13
- I171 E13
- I172 H7
- I173 H11
- I174 G13

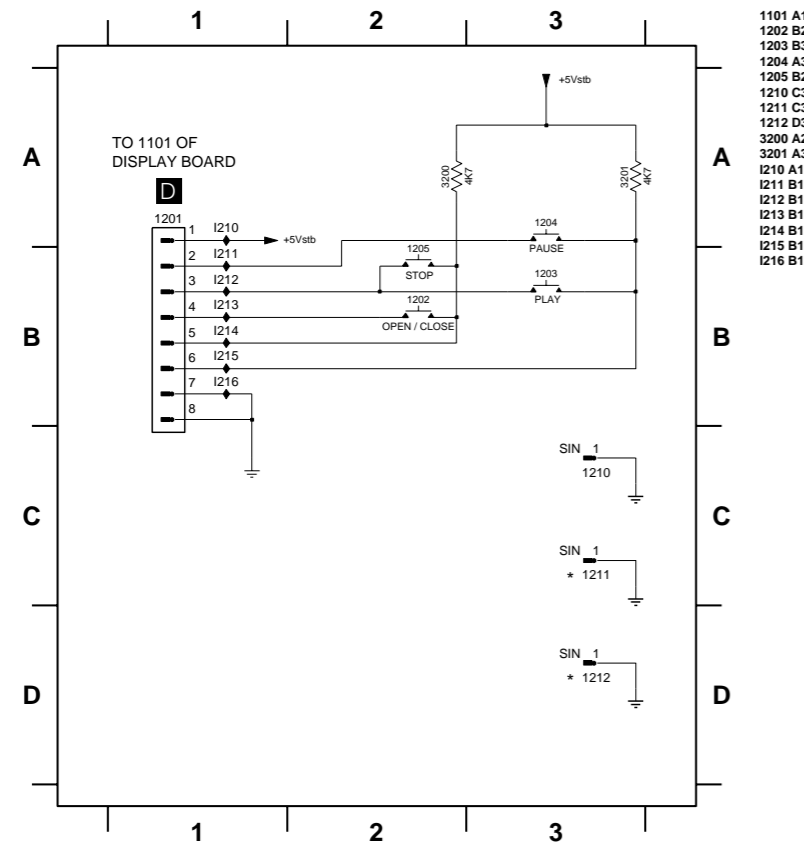
■ SCHEMATIC DIAGRAM
FOR INFORMATION ONLY (NO SERVICE PARTS WILL BE AVAILABLE)

The first digit of a component indicates the component type.

1xxx : Connector 3xxx : Resistor 5xxx : Coil 7xxx : IC, Transistor, FET
2xxx : Capacitor 4xxx : SMD jumper 6xxx : Diode 9xxx : Wire jumper

FRONT (2)

K KEY MATRIX BOARD

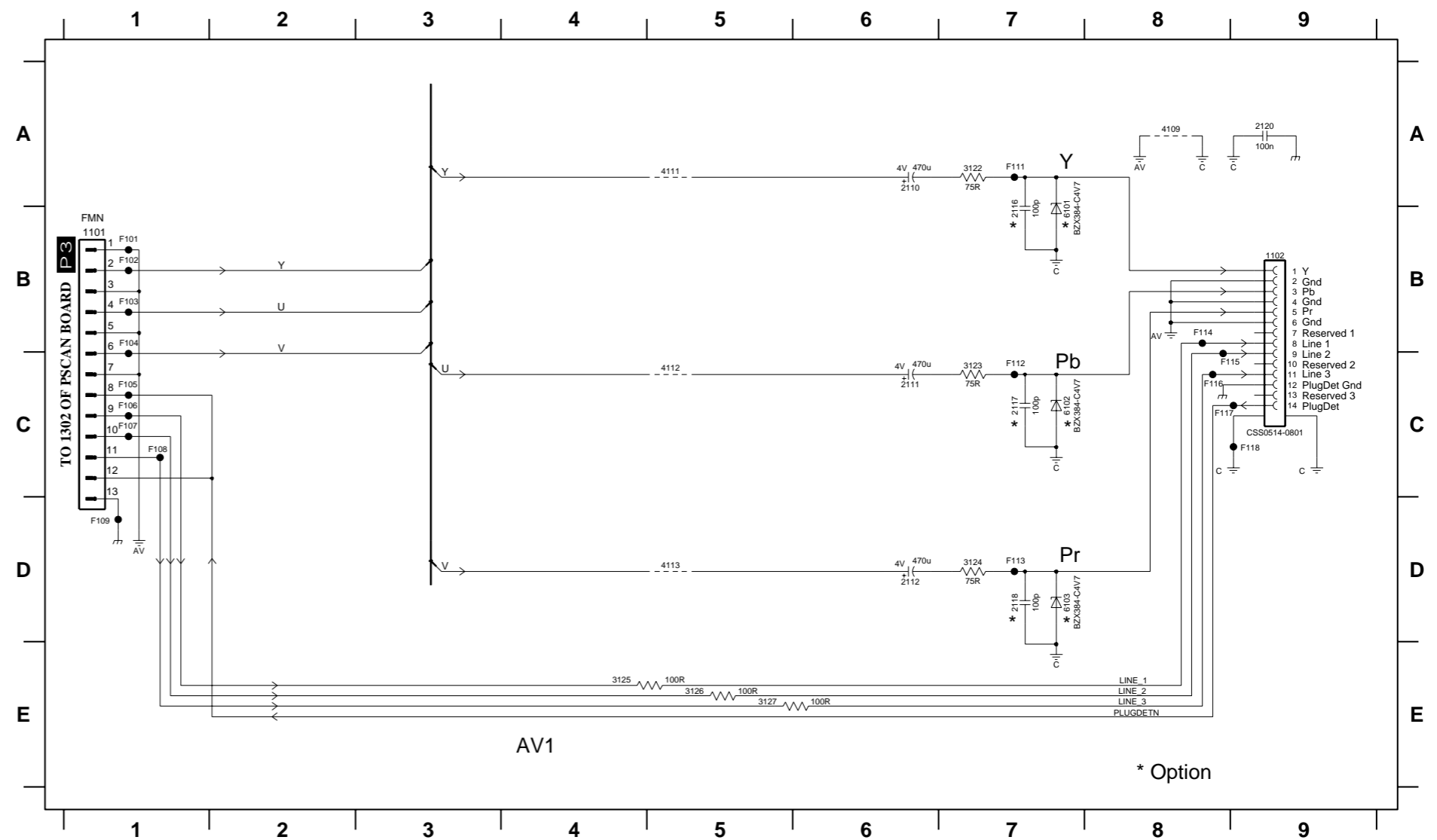


- 1101 A1
- 1202 B2
- 1203 B3
- 1204 A3
- 1205 B2
- 1210 C3
- 1211 C3
- 1212 D3
- 3200 A2
- 3201 A3
- I210 A1
- I211 B1
- I212 B1
- I213 B1
- I214 B1
- I215 B1
- I216 B1

* OPTION
V DC vtg measured in STOP-MODE

HDMI D2 BOARD (J model only)

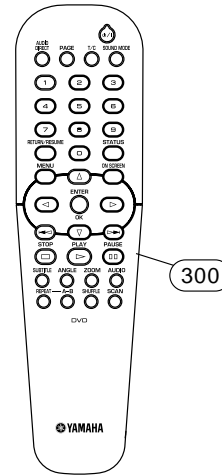
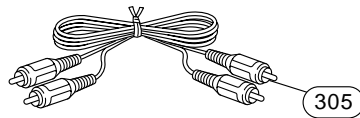
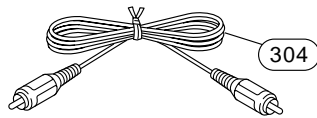
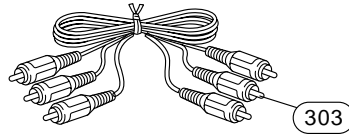
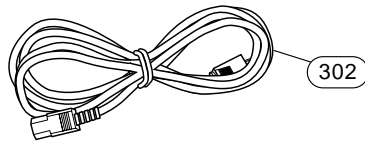
- 1101 B1
- 2120 A9
- 4112 B5
- F105 C1
- F114 B8
- 1102 B9
- 3122 A7
- 4113 C5
- F106 C1
- F115 C8
- 2110 A6
- 3123 C7
- 6101 B7
- F107 C1
- F116 C8
- 2111 C6
- 3124 D7
- 6102 C7
- F108 C1
- F117 C8
- 2112 D6
- 3125 E4
- 6103 D7
- F109 D1
- F118 C9
- 2116 B7
- 3126 E5
- F101 B1
- F110 C2
- 2117 C7
- 3127 E5
- F102 B1
- F111 A7
- 2118 D7
- 4109 A8
- F103 B1
- F112 C7
- 2119 A8
- 4111 A5
- F104 B1
- F113 D7



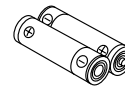
* Option

* Components having special characteristics are marked Δ and must be replaced with parts having specifications equal to those originally installed.
* Schematic diagram is subject to change without notice.

■ ACCESSORIES



Note) The battery cover is not available.



Ref. No.	PART NO.	Description	Remarks	Markets	部品名	Rank
		ACCESSORIES			付属品	
* 300	AAx58010	REMOTE CONTROL	RC19237009/00	3139 238 06231	リモコン	
△ * 302	AAx58050	POWER CABLE	2m	2422 070 00006	電源コード	J
△ * 302	AAx58060	POWER CABLE	2m	2422 070 00008	電源コード	U
△ * 302	AAx58040	POWER CABLE	2m	2422 070 00005	電源コード	RG
△ * 302	AAx58030	POWER CABLE	2m	2422 070 00004	電源コード	A
303	AAx23450	AUDIO/VIDEO CABLE	YE/RD/WH 1.5m 1pc	2422 076 00304	音声 / 映像ピンケーブル	JURA
304	AAx22970	VIDEO CABLE	YE 1.5m 1pc	3104 108 45432	ビデオ用ピンケーブル	G
305	AAx21980	AUDIO PIN CABLE	RD/WH 1.5m 1pc	3103 308 92611	ステレオピンケーブル	G
		BATTERY	UM-3 (2pcs)		乾電池 2 P C S	

* New Parts (新規部品)

DVD-S1500/DV-S5770

YAMAHA

DVD-S1500
/DV-S5770
